

433MHz Small Sucker Antenna

## Product Specification



---

---

## Catalogue

1. Description.....	- 3 -
2. Technical Parameter.....	- 3 -
3. Size.....	- 3 -
4. VSWR Chart.....	- 3 -

### Note: Revision History

Revision	Date	Comment
V1.0	2013-11	First release
V2.0	2016-06	Typesetting, measurements revised
V2.1	2017-06	Logo updated
V2.2	2020-11	Logo and product description updated

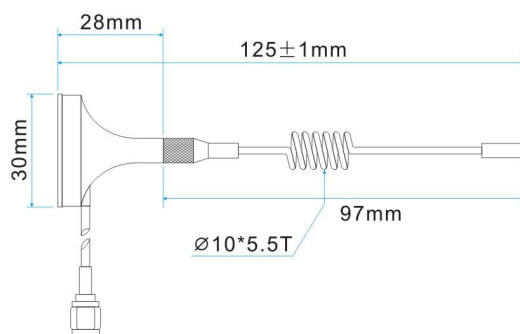
## 1. Description

SW433-XPXM, small sucker antenna, designed specially for 433MHz wireless communication, it has good VSWR, ingenious structure, easy installation, stable performance, with good anti-vibration and anti-aging ability.

## 2. Technical Parameter

- Frequency Range: 433±10 MHz
- VSWR:  $\leq 1.5$
- Gain: 3.0 dBi
- Input impedance: 50  $\Omega$
- Max power: 10 W
- Polarization: vertical polarization
- Height: 126 mm
- Interface form: SMA-J
- Cable length: 1~6m optional Antenna
- Color: black

## 3. Size



## 4. VSWR Chart

Antennas have been tested under wireless simulated environment by Network Analyzer.

Frequency: 434 MHz

RL:26.13dB

SWR: 1.161

