

Product Specification



Catalogue

1. Description.....	- 3 -
2. Technical Parameter.....	- 3 -
3. Size.....	- 3 -
4. VSWR Chart.....	- 3 -

Note: Revision History

Revision	Date	Comment
V1.0	2018-06	First release
V1.1	2020-11	Description updated

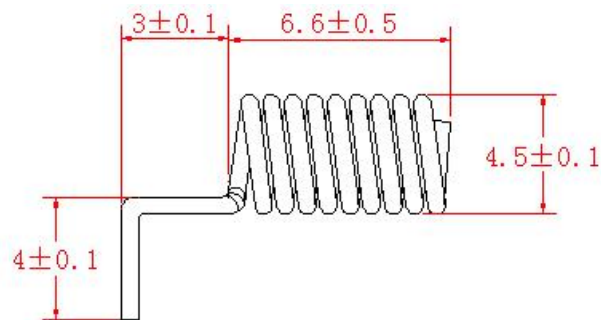
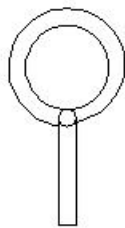
1. Description

SW868-TH06, a copper spring antenna, designed specially for 868MHz wireless communication, it has good VSWR, Compact dimensions, easy installation, stable performance, with good anti-vibration and anti-aging ability.

2. Technical Parameter

- Frequency Range: 868 ± 5 MHz
- VSWR: ≤ 1.5
- Gain: 2.15 dBi
- Input impedance: 50Ω
- Max power: 5 W
- Height: 6.6 ± 0.5 mm
- Wire diameter: 0.5mm
- Interface form: welding directly
- Antenna Color: copper
- Weight: 1 g

3. Size (Unit:mm)



4. VSWR Chart

Antennas have been tested under wireless simulated environment by Network Analyzer.

