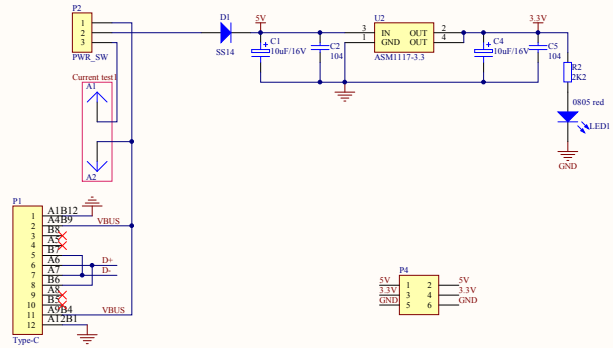
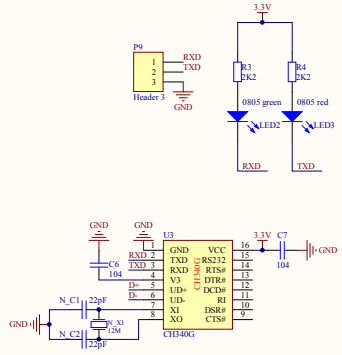


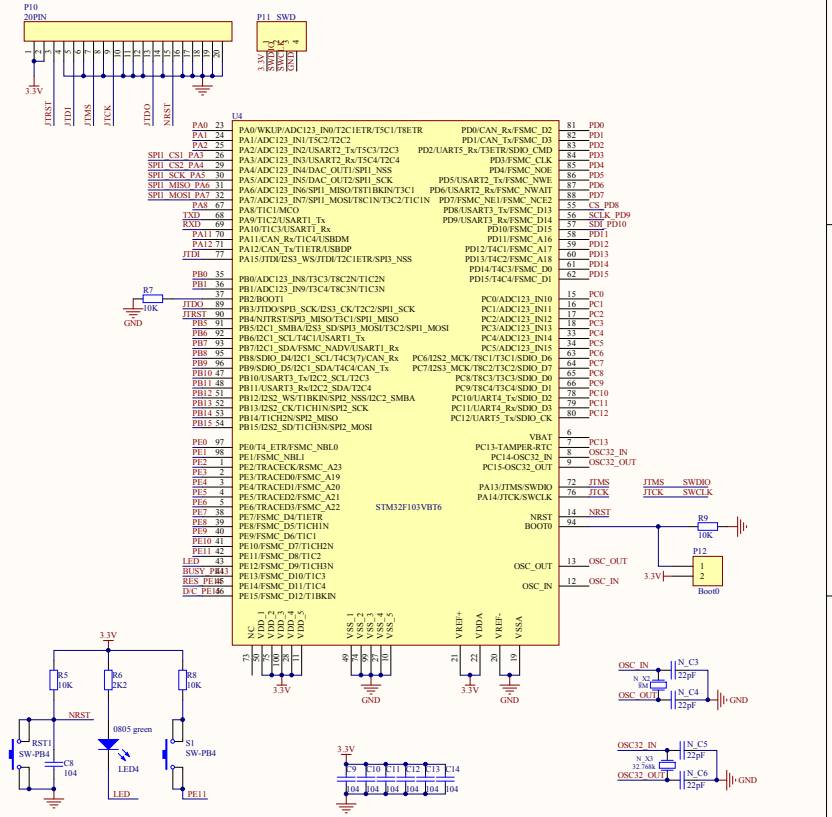
POWER



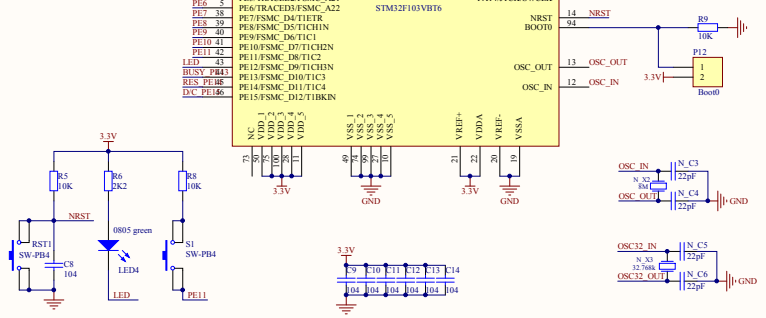
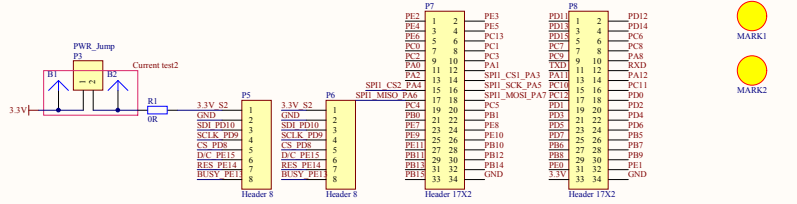
USB



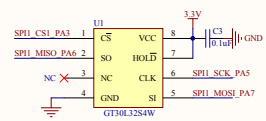
MCU



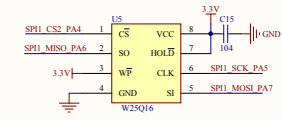
INTERFACE



FONT--GT30L32S4W



FLASH



Title		
Size	Number	Revision
C		06.30
Date:	2022/6/6	Sheet of
File:	F:_DES\PLM021_20211208_S4	Sheet of