



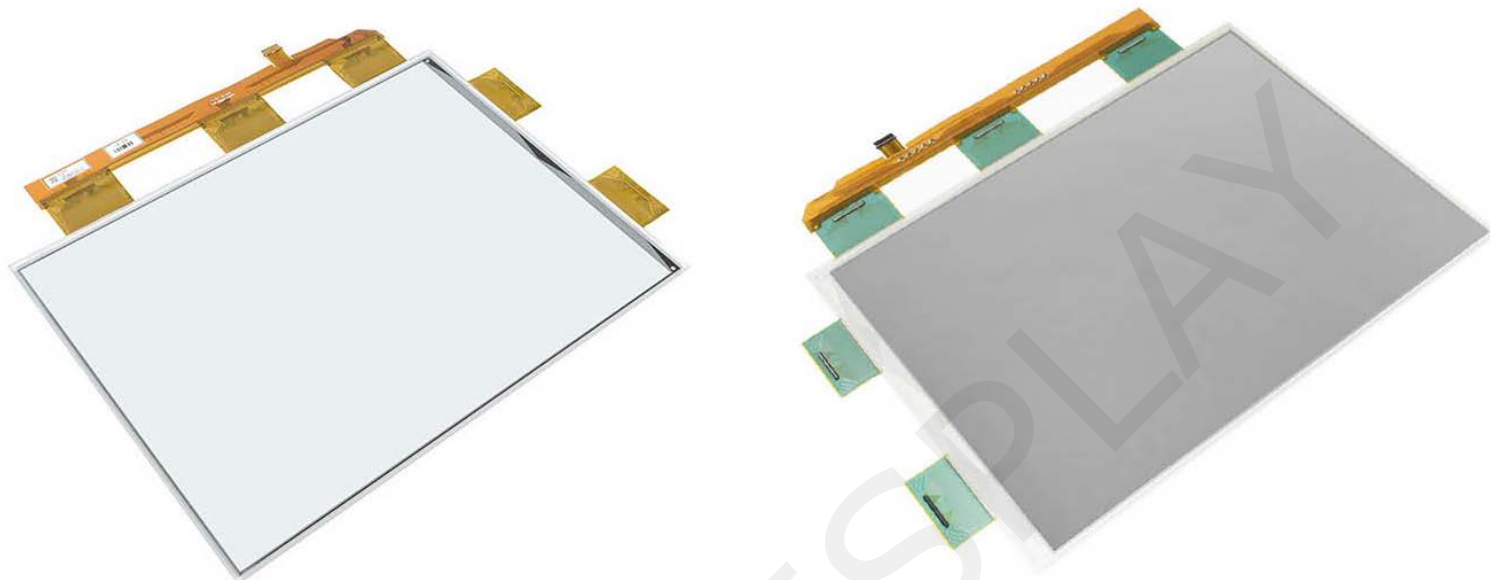
# 13.3 inch E-paper Display Series



**GDEP133UT3**

Dalian Good Display Co., Ltd.

# Product Specifications



<b>Customer</b>	<b>Standard</b>
<b>Description</b>	<b>13.3" E-PAPER DISPLAY</b>
<b>Model Name</b>	<b>GDEP133UT3</b>
<b>Date</b>	<b>2021/11/02</b>
<b>Revision</b>	<b>1.0</b>

	Design Engineering		
	Approval	Check	Design
			

Zhongnan Building, No.18, Zhonghua West ST,Ganjingzi DST,Dalian,CHINA

Tel: +86-411-84619565

Email: info@good-display.com

Website: www.good-display.com

# ***TECHNICAL SPECIFICATION***

## ***CONTENTS***

<b><i>NO.</i></b>	<b><i>ITEM</i></b>	<b><i>PAGE</i></b>
-	Cover	1
-	Revision History	2
-	Contents	3
1	General Description	4
2	Features	4
3	Mechanical Specifications	4
4	Mechanical Drawing of EPD module	5
5	Input/Output Terminals	6
6	Electrical Characteristics	9
7	Power on Sequence	15
8	Optical Characteristics	18
9	Handling, Safety and Environment Requirements	20
10	Reliability test	22
11	Block Diagram	23
12	Packing	24
13	Bar Code definition	25
14	Appendix	26

## Revision History

Rev.	Issued Date	Revised Contents
1.0	2021-11-02	1 <sup>st</sup> formal version

GOOD DISPLAY

## 1. General Description

GDEP133UT3 is a reflective electrophoretic E-ink technology display module based on active matrix TFT substrate. It has 13.3" active area with 1600 x 1200 pixels, the display is capable to display images at 2-16 gray levels (1-4 bits) depending on the display controller and the associated waveform file.

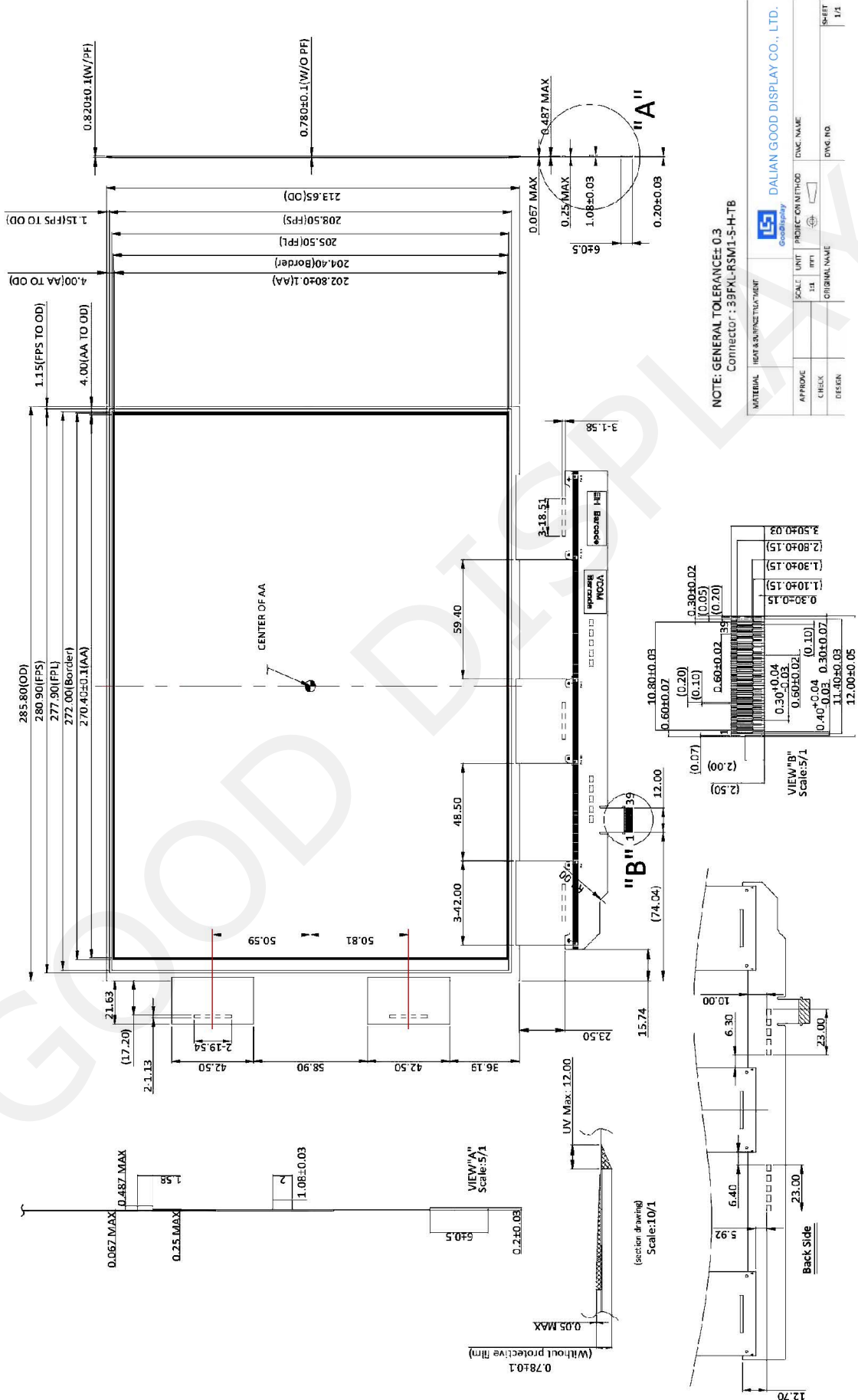
## 2. Features

- High contrast reflective / electrophoretic technology
- 1600x1200 display
- High reflectance
- Ultra wide viewing angle
- Ultra low power consumption
- Pure reflective mode
- Bi-stable
- Wide temperature operating range from -15°C to 65°C with 1-bit WF

## 3. Mechanical Specifications

Parameter	Specifications	Unit	Remark
Screen Size	13.3	Inch	
Display Resolution	1600 (H) × 1200 (V)	Pixel	
Active Area	270.4 (H) × 202.8 (V)	mm	
Outline Dimension	285.80(W)x213.65(H)x 0.78(D)(panel area height)	mm	
Pixel Pitch	0.169 (H) × 0.169 (V)	mm	
Pixel Configuration	Rectangle		
Module Weight	96	g	
Number of Gray	16 Gray Level (monochrome)		
Display operating mode	Reflective mode		
Surface Treatment	Hard Coating		

### 4. Mechanical Drawing of EPD Module



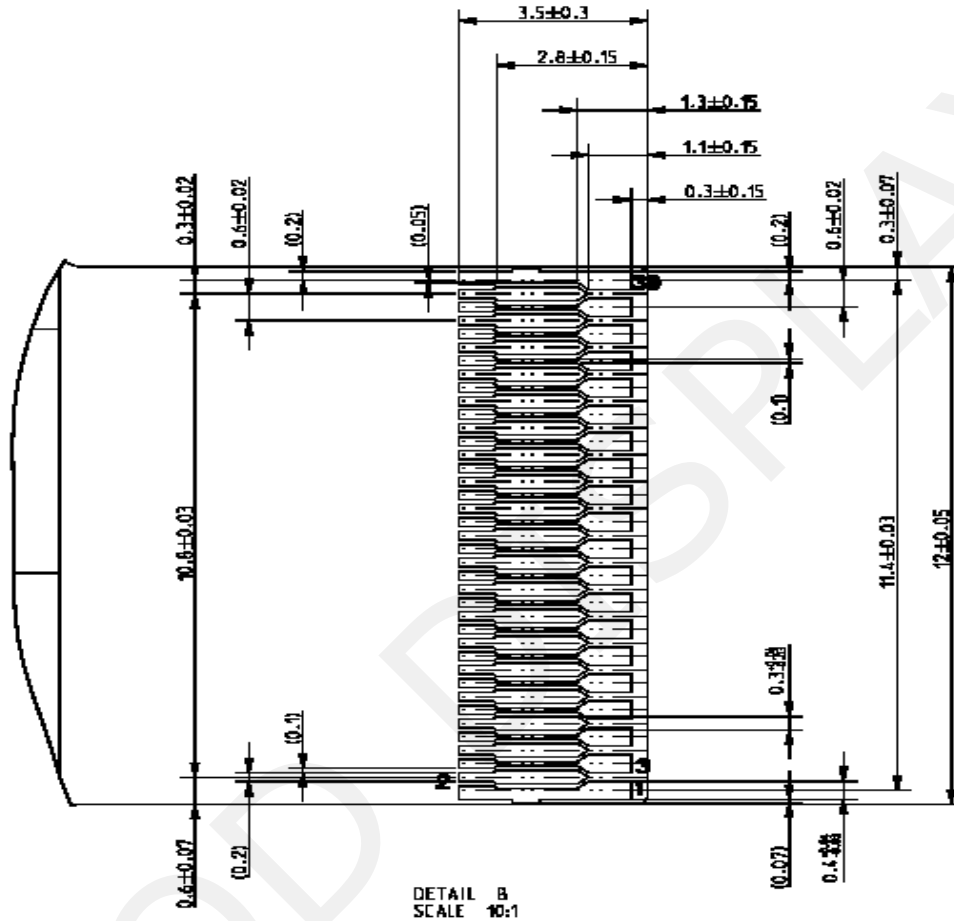
## 5. Input/Output Interface

### 5-1) Pin Assignment

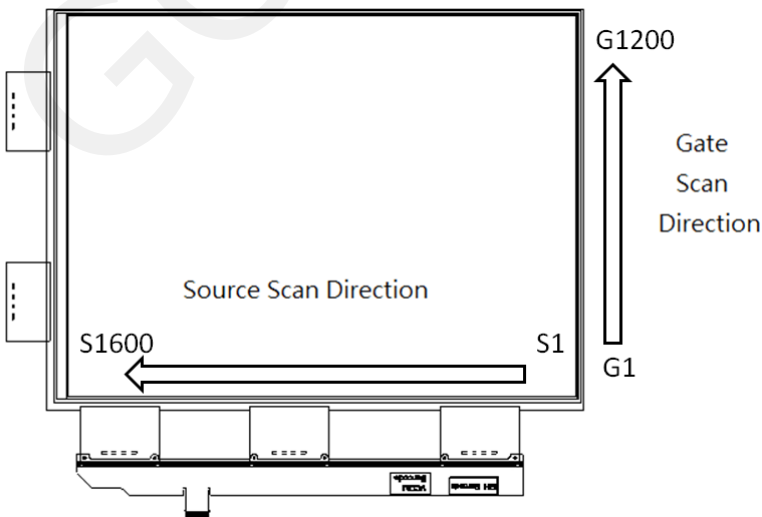
Pin	Signal	Description	Remark
1	VNEG	Negative power supply source driver	
2	VPOS	Positive power supply source driver	
3	VSS	Ground	
4	VDD	Digital power supply drivers	
5	XCL	Clock source driver	
6	XLE	Latch enable source driver	
7	XOE	Output enable source driver	
8	VSS	Ground	
9	VSS	Ground	
10	NC	No Connection	
11	XSTL	Start pulse source driver	
12	D0	Data signal source driver	
13	D1	Data signal source driver	
14	D2	Data signal source driver	
15	D3	Data signal source driver	
16	D4	Data signal source driver	
17	D5	Data signal source driver	
18	D6	Data signal source driver	
19	D7	Data signal source driver	
20	VSS	Ground	
21	NC	No Connection	
22	VCOM	Common connection	
23	VGH	Positive power supply gate driver	
24	VGL	Negative power supply gate driver	
25	NC	No Connection	
26	NC	No Connection	
27	NC	No Connection	
28	MODE1	Output mode selection gate driver	
29	VSS	Ground	
30	VSS	Ground	
31	VSS	Ground	
32	SPV	Start pulse gate driver	
33	CKV	Clock gate driver	
34	BORDER	Border connection	
35	VSS	Ground	
36	VSS	Ground	
37	VSS	Ground	
38	VSS	Ground	
39	VSS	Ground	

### 5-2) Panels Electrical Connection

SERVICE	CONNECTOR	TYPE NUMBER	NUMBER OF PINS	MATING CONNECTOR
Interface	JST	39FXL-RSM1-S-H-TB	39	Copper foil 0.3mm pitch



### 5-3) Panel Scan Direction





## 6. Electrical Characteristics

### 6-1) Absolute maximum rating

Parameter	Symbol	Rating	Unit
Logic Supply Voltage	VDD	-0.3 to +7	V
Positive Supply Voltage	V <sub>POS</sub>	-0.3 to +18	V
Negative Supply Voltage	V <sub>NEG</sub>	+0.3 to -18	V
Max .Drive Voltage Range	V <sub>POS</sub> - V <sub>NEG</sub>	36	V
Supply Voltage	VGH	-0.3 to +55	V
Supply Voltage	VGL	-32 to +0.3	V
Supply Range	VGH-VGL	-0.3 to +55	V
Operating Temp. Range	TOTR	-15 to +65	°C
Storage Temperature	TSTG	-25 to +70	°C

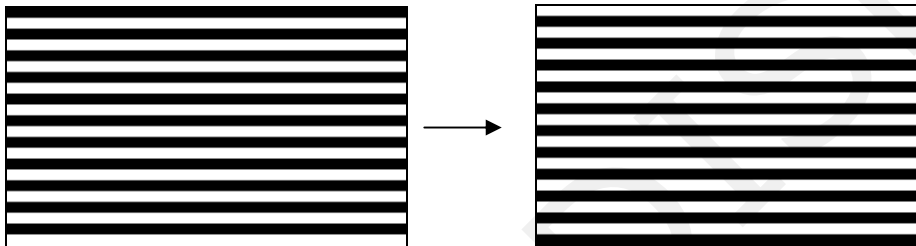
### 6-2) Panel DC characteristics

Parameter	symbol	conditions	Min	Typ	Max	Unit
Signal ground	Vss			0		V
Logic voltage supply	VDD		2.75	3.3	3.6	V
	I <sub>DD</sub>	VDD=3.3V		3.2	10	mA
Gate negative supply	VGL		-19	-20	-21	V
	I <sub>GL</sub>	VGL=-20V		1.3	4	mA
Gate Positive supply	VGH		26	27	28	V
	I <sub>GH</sub>	VGH=27V		1.3	4	mA
Source negative supply	V <sub>NEG</sub>		-15.4	-15	-14.6	V
	I <sub>NEG</sub>	V <sub>NEG</sub> =-15V		6	135	mA
Source Positive supply	V <sub>POS</sub>		14.6	15	15.4	V
	I <sub>POS</sub>	V <sub>POS</sub> =15V		6.4	135	mA
Border supply	Vcom		-3.5	Adjusted	-0.3	V
Asymmetry source	Vasm	Vpos+Vneg	-800		800	mV
Common voltage	Vcom		-3.5	Adjusted	-0.3	V
	Icom			0.42	0.8	mA
Maximum Power panel	Pmax				4300	mW
Typical power panel	Ptyp			265		mW
Standby power panel	Pstby				0.4	mW
Rush current	I <sub>DD</sub>	VDD=3.3V	-150		150	mA
	I <sub>GL</sub>	VGL=-20V	-630		630	mA
	I <sub>GH</sub>	VGH=27V	-210		210	mA
	I <sub>NEG</sub>	V <sub>NEG</sub> =-15V	-430			mA
	I <sub>POS</sub>	V <sub>POS</sub> =15V			430	mA
	Icom		-2.7		2.7	A

- The maximum power consumption is measured at 75 Hz operation with following pattern transition: from pattern of repeated 1 consecutive black scan lines followed by 1 consecutive white scan line to that of repeated 1 consecutive white scan lines followed by 1 consecutive black scan lines.(Note 6-1)
- The Typical power consumption is measured using 50Hz waveform with following pattern transition: from horizontal 4 gray scale pattern to vertical 4 gray scale pattern. (Note 6-2)
- The standby power is the consumed power when the panel controller is in standby mode.
- The listed electrical/optical characteristics are only guaranteed under the controller & waveform provided by Good Display.
- Vcom is recommended to be set in the range of assigned value  $\pm 0.1V$ .
- The rush current is for reference only.

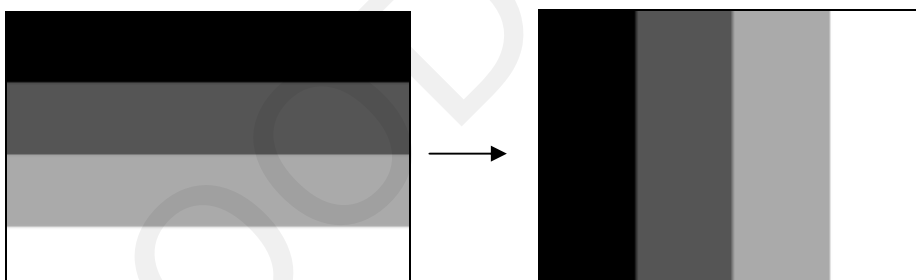
**Note 6-1**

The maximum power consumption



**Note 6-2**

The Typical power consumption



**6-3) Refresh Rate**

The module GDEP133UT3 is applied at a maximum screen refresh rate of 75Hz.

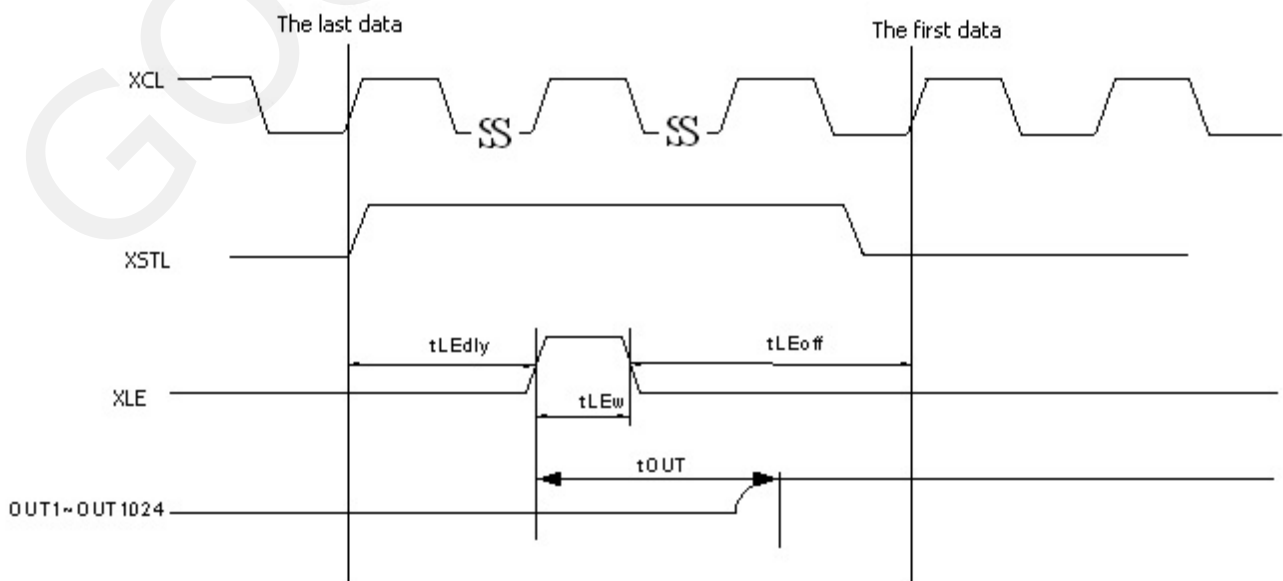
	Min	Max
<b>Refresh Rate</b>	-	75Hz

### 6-4 )Panel AC characteristics

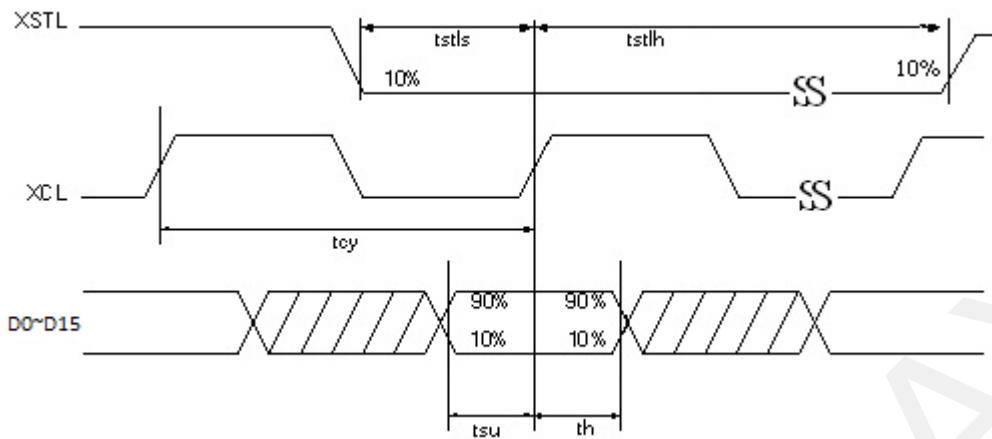
VDD=2.75V to 3.6V, unless otherwise specified.

Parameter	Symbol	Min.	Typ.	Max.	Unit
Clock frequency	fckv	-	-	200	kHz
Minimum "L" clock pulse width	twL	0.5	-	-	us
Minimum "H" clock pulse width	twH	0.5	-	-	us
Clock rise time	trckv	-	-	100	ns
Clock fall time	tfckv	-	-	100	ns
SPV setup time	tSU	100	-	twH-100	ns
SPV hold time	tH	100	-	twH-100	ns
Pulse rise time	trspv	-	-	100	ns
Pulse fall time	tfspv	-	-	100	ns
Clock XCL cycle time	tcy	16.7	-	-	ns
D0 .. D7 setup time	tsu	8	-	-	ns
D0 .. D7 hold time	th	8	-	-	ns
XSTL setup time	tstls	8.35	-	-	ns
XSTL hold time	tstlh	8.35	-	-	ns
XLE on delay time	tLEdly	40	-	-	ns
XLE high-level pulse width (When VDD=2.73V to 3.6V)	tLEw	40	-	-	ns
XLE off delay time	tLEoff	200	-	-	ns
Output setting time to +/- 30mV(Cload=200pF)	tout	-	-	12	us
Frame Sync Length (Mode 1)	t1	1			1 line

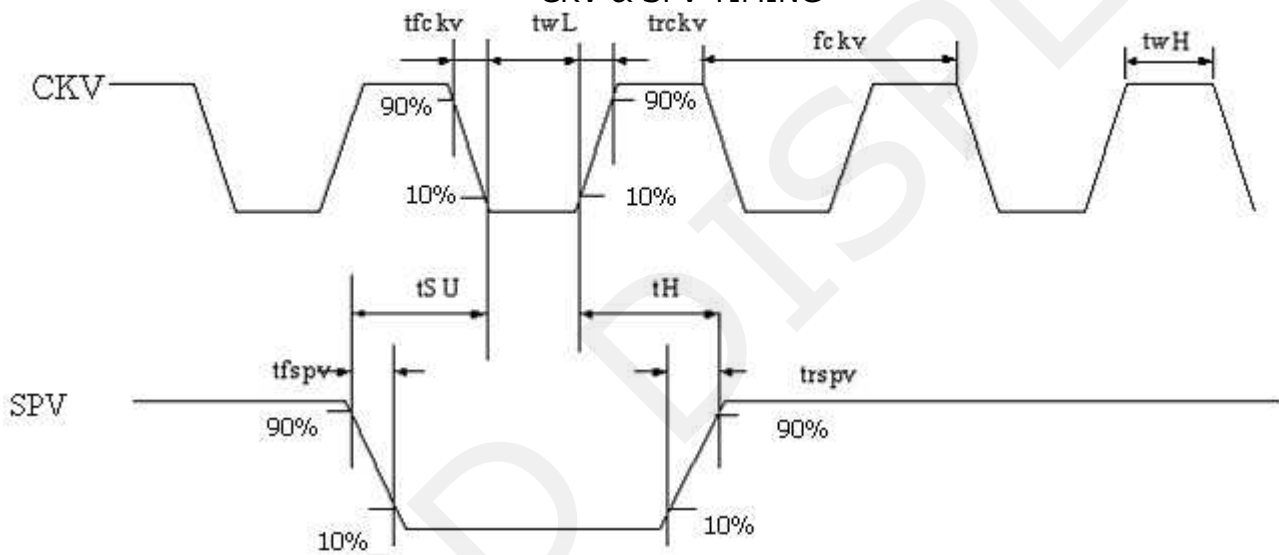
#### OUTPUT LATCH CONTROL SIGNALS



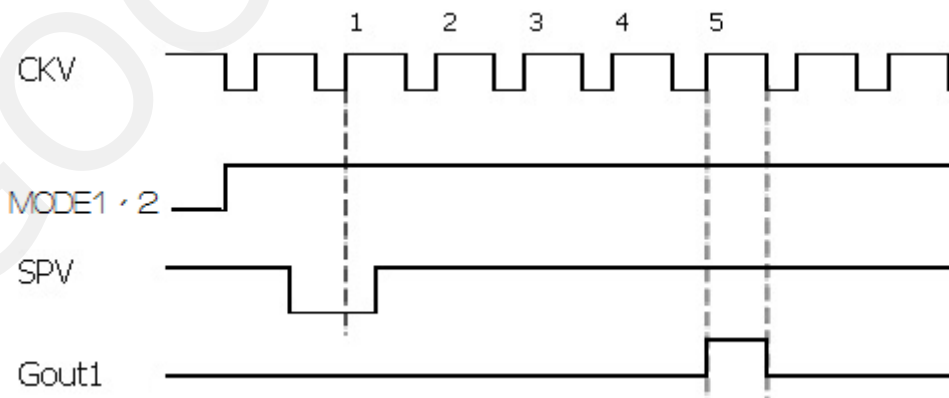
CLOCK & DATA TIMING



CKV & SPV TIMING



GATE OUTPUT TIMING



**Note :** First gate line on timing  
After 5CKV , gate line is on .

### 6-5) Controllers Timing

The timing mode is depicted on Figure 1 and Figure 2 and it refers to timing of Source Driver Output Enable (SDOE)<sup>(3)</sup> and Gate Driver Clock (GDCK)<sup>(3)</sup>. Note, the controller timing in the mode LGON follows GDCK timing.

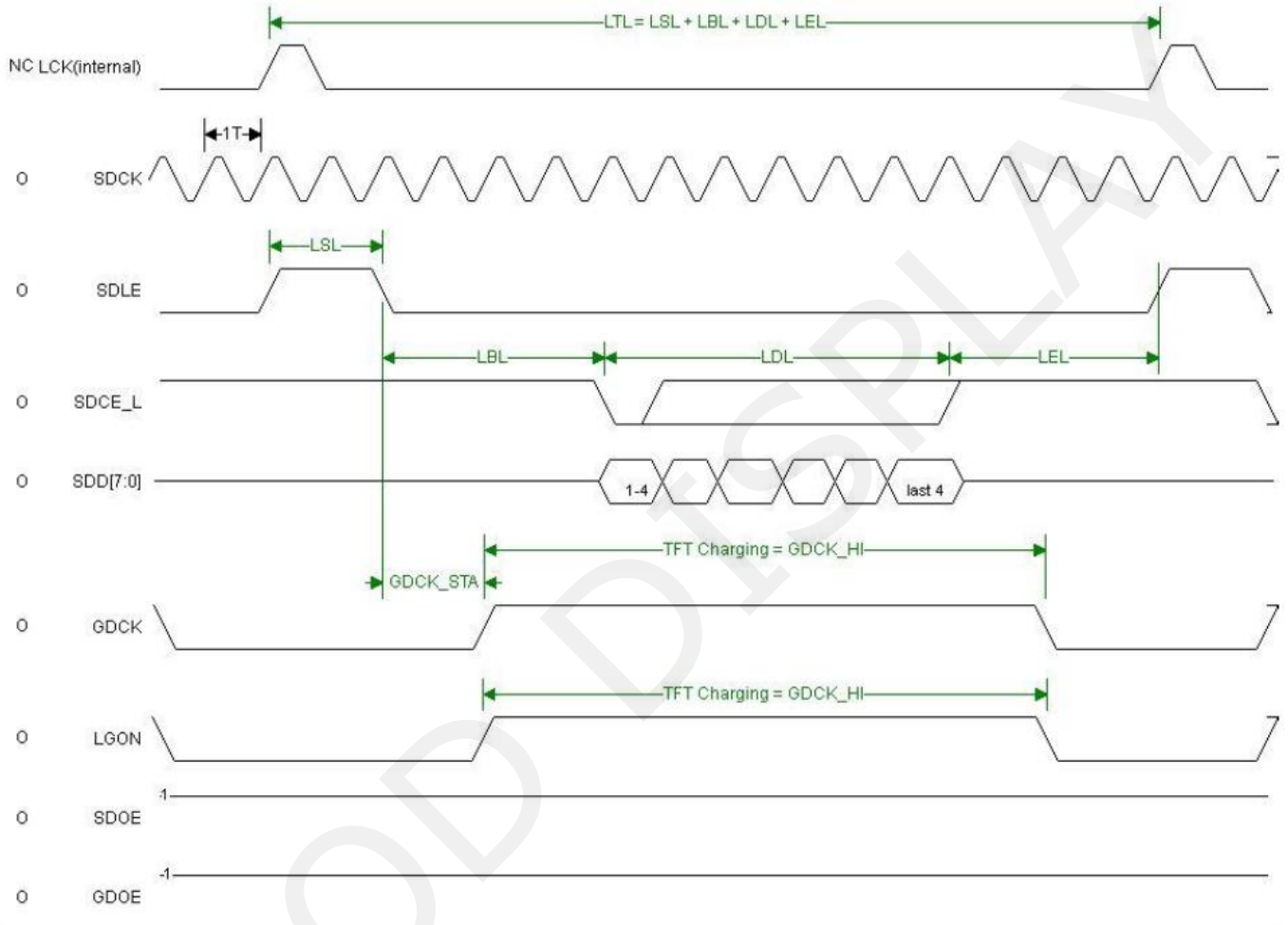
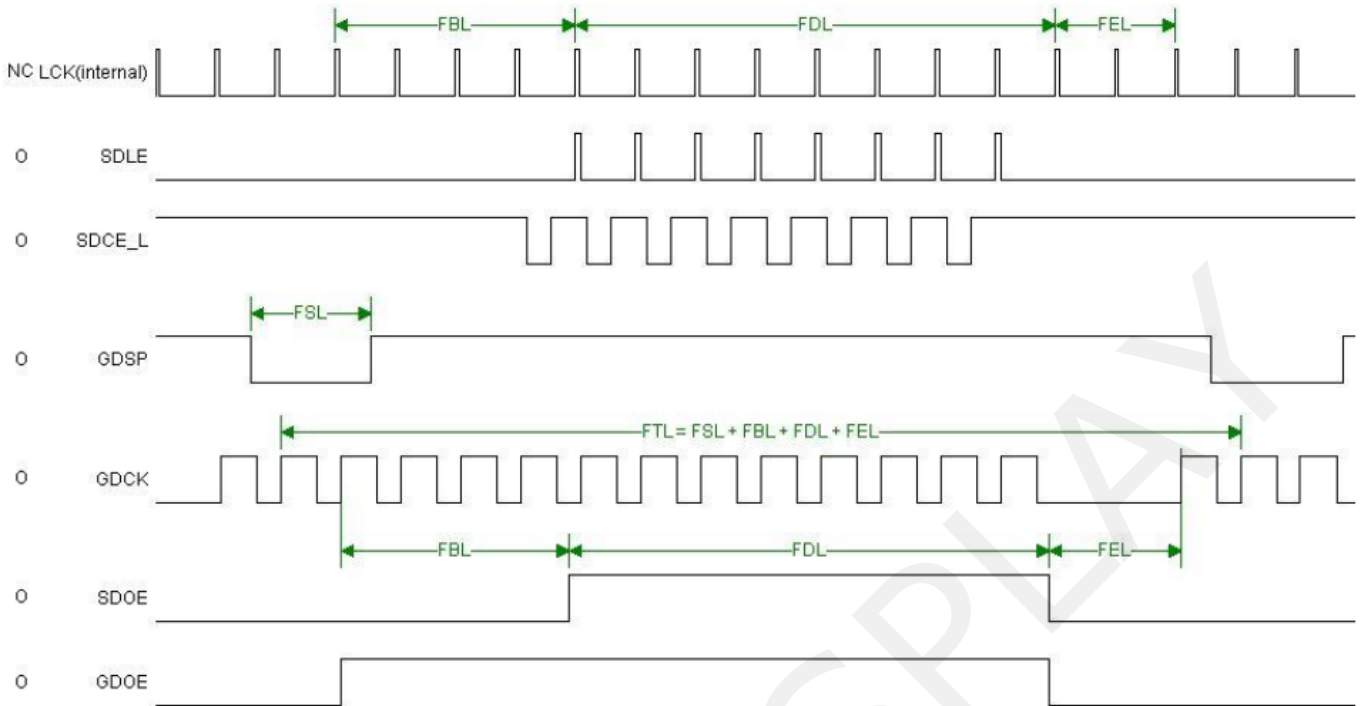


Figure 1 Line Timing in Mode 3

Note: LCK is an internal signal and it is shown for reference only.



**Figure 2 Frame Timing in Mode 3**

**Timing Parameters Table**

<b>Mode</b>	3	<b>Resolution</b>				
<b>SDCK [MHz]</b>	40	1600x1200				
<b>Pixels Per SDCK</b>	4					
<b>Line Parameters[SDCK]</b>	<b>LSL</b>	<b>LBL</b>	<b>LDL</b>	<b>LEL</b>	<b>GDCK_STA</b>	<b>LGONL</b>
	2	10	400	28	18	398
<b>Line Parameters[us]</b>	-	-	-	-	-	-
	0.05	0.25	10.00	0.70	0.45	9.95
<b>Frame Parameters [lines]</b>	<b>FSL</b>	<b>FBL</b>	<b>FDL</b>	<b>FEL</b>	-	<b>FR [Hz]</b>
	1	4	1200	7	-	75.01
<b>Frame Parameters [us]</b>	-	-	-	-	-	-
	11.00	44.00	13200.00	77.00	-	-

Note 1: For Freescale SoC GDOE Low pulse represent FSL and GDSP pulses with the first period of FBL Note 2:

- SDCLK = XCL
- SDD[7:0] = D0~D7
- SDCE\_L = XSTL
- GDCK = CKV
- GDSP = SPV
- GDOE = Mode1
- SDOE = XOE

## 7. Power on Sequence

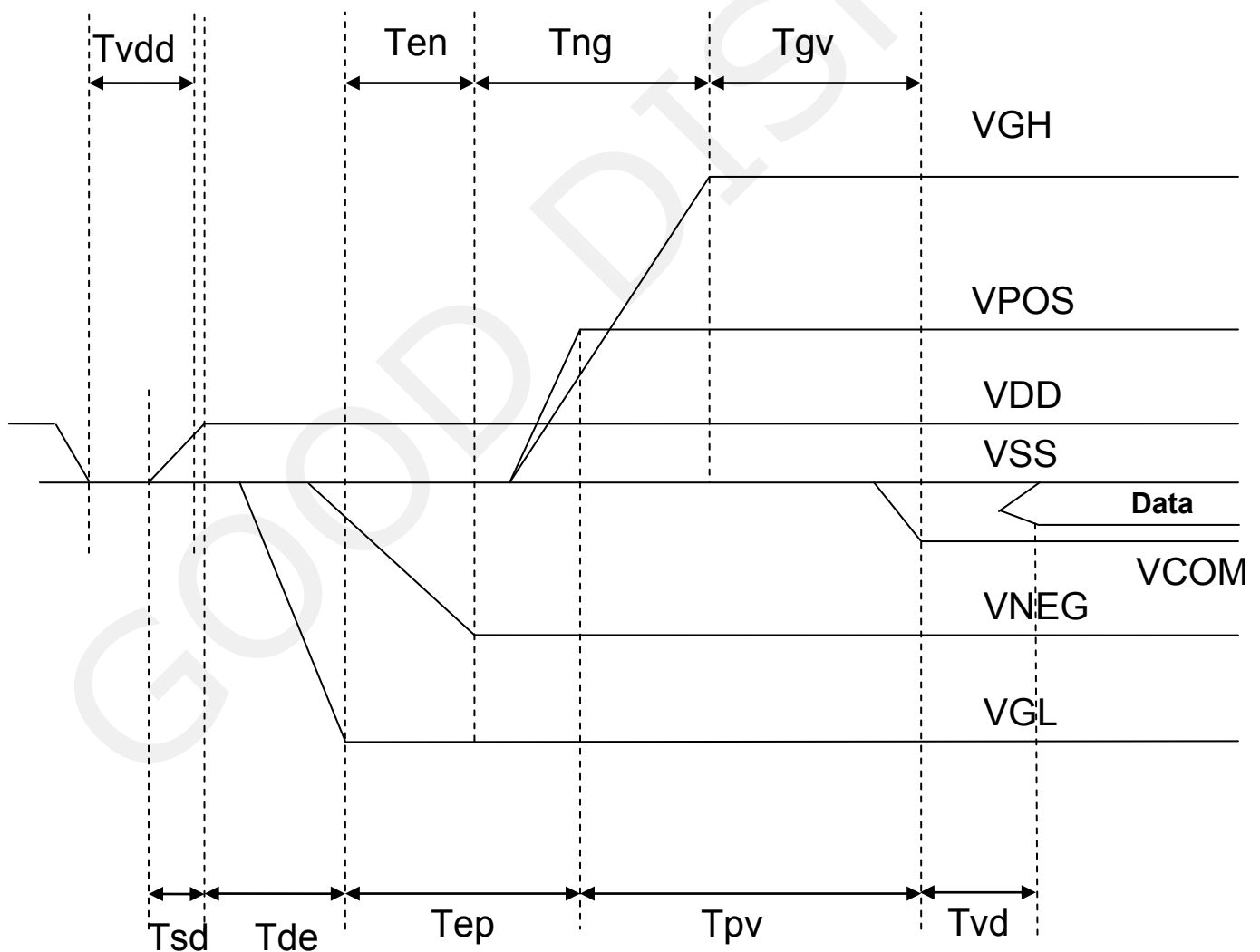
Power Rails must be sequenced in the following order :

1. VSS → VDD → VNEG → VPOS (Source driver) → VCOM
2. VSS → VDD → VGL → VGH (Gate driver)

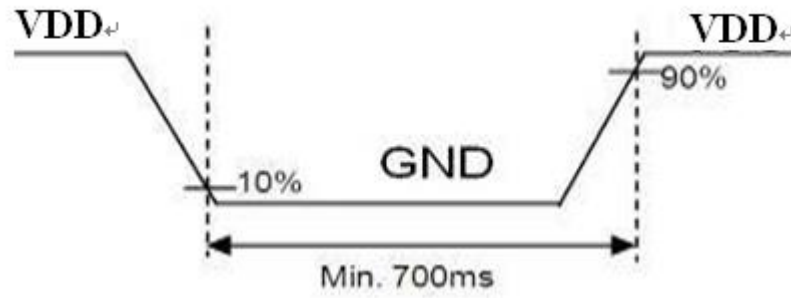
**Note:**

- VGL should be turned off after VNEG and VPOS have been turned off and returned to the ground state
- VGL should be turned off after the Vcom has been turned off and returned to the ground state.
- All of Vcom/VNEG/VPOS/VGN/VGL MUST turn off right after data transfer completes.

**Power on**



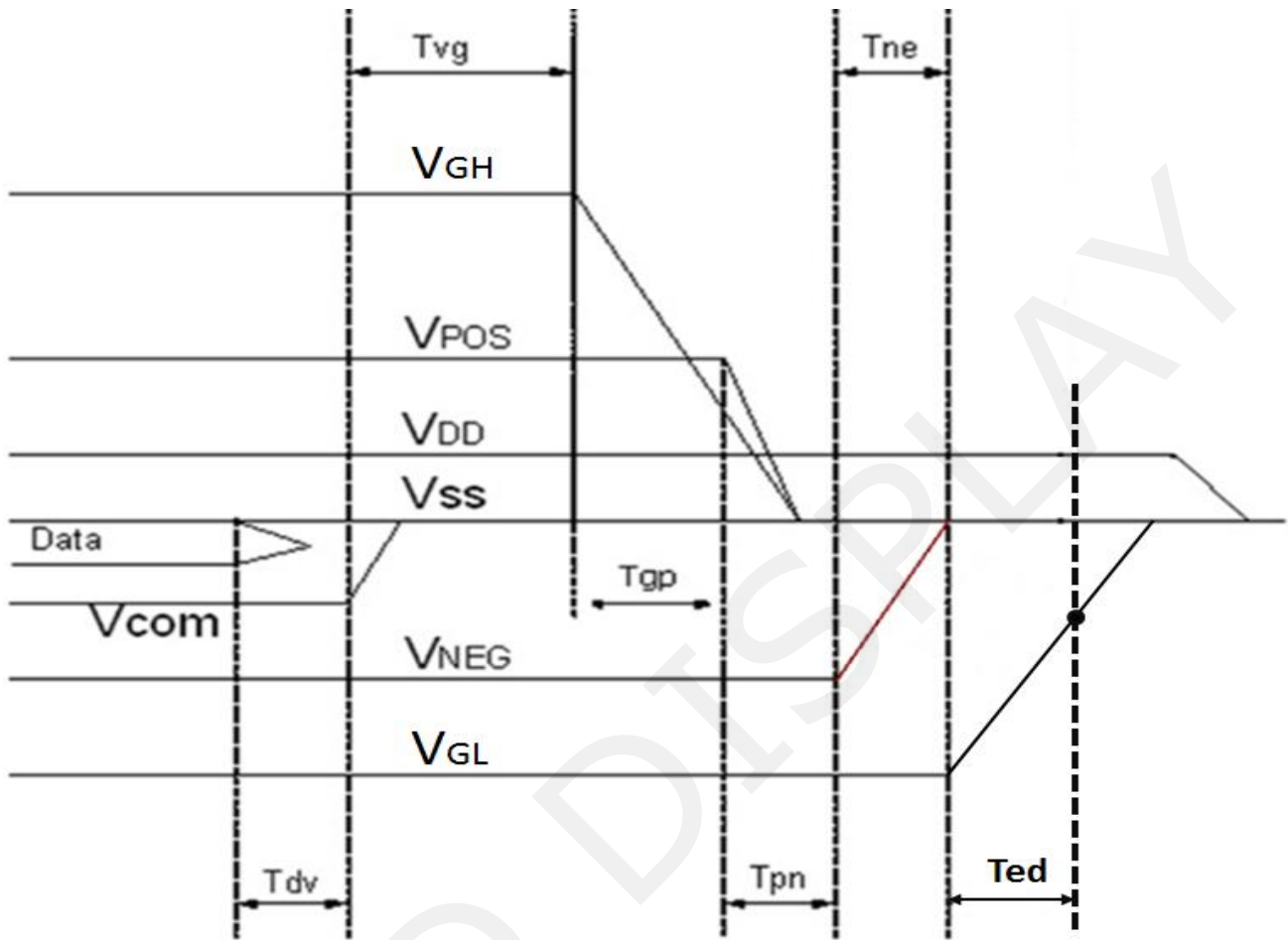
Note: If move from standby mode or power down to power on, VDD voltage must be set GND in the period of 700ms before VDD power on.



	Min	Max
Tsd	30us	-
Tde	100us	-
Tep	1000us	-
Tpv	100us	-
Tvd	100us	-
Ten	0us	-
Tng	1000us	-
Tgv	100us	-
Tvdd	700ms	-



**Power off**



	Min	Max	Remark
$T_{dv}$	100 $\mu$ s	-	-
$T_{vg}$	0 $\mu$ s	-	-
$T_{gp}$	0 $\mu$ s	-	-
$T_{pn}$	0 $\mu$ s	-	-
$T_{ne}$	0 $\mu$ s	-	-
$T_{ed}$	0.5s	-	Discharged point @ -7.4 Volt

Note1 : Supply voltages decay through pull-down resistors.

## 8. Optical characteristics

### 8-1) Specifications

Measurements are made with that the illumination is under an angle of 45 degrees, the detector is perpendicular unless otherwise specified.

T = 25°C

Symbol	Parameter	Conditions	Min	Typ.	Max	Unit	Note
R	Reflectance	White	35	45	-	%	Note 8-1
Gn	Nth Grey Level	-	-	$DS + (WS - DS) \times n / (m - 1)$	-	L*	-
CR	Contrast Ratio	-	10	16	-	-	-
		1 bit	(5)	-	-	-	Note 8-2

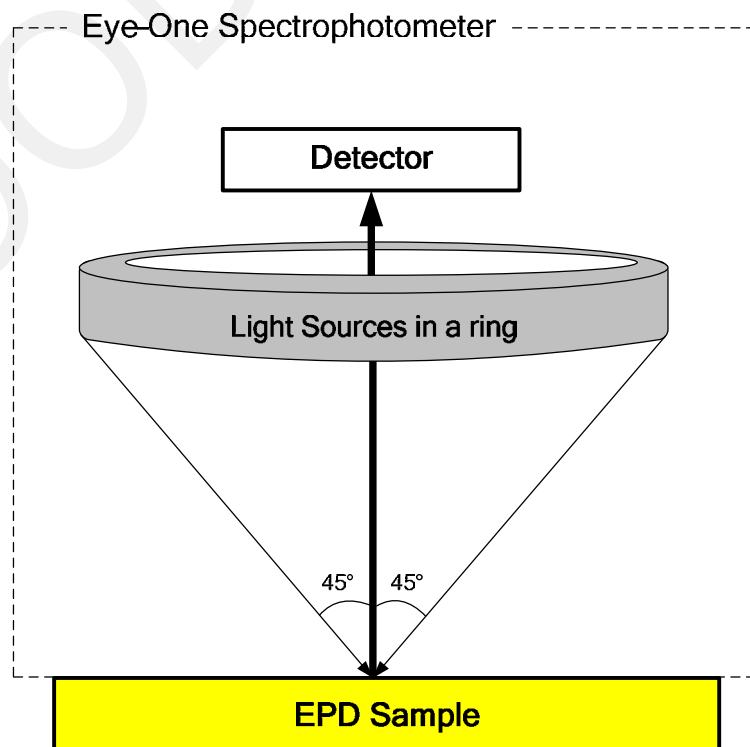
WS: White state , DS: Dark state, Gray state from Dark to White :DS · G1 · G2... · Gn... · Gm-2 · WS m:4 · 8 · 16 when 2 · 3 · 4 bits mode

Note 8-1: Luminance meter :Eye – One Pro Spectrophotometer.

Note 8-2: Contrast Ratio on wide-temp. range ( < 0C and >50C)

### 8-2) Definition of contrast ratio

The contrast ratio (CR) is the ratio between the reflectance in a full white area (RI) and the reflectance in a dark area (Rd):  $CR = RI / Rd$



### 8-3) Reflection Ratio

The reflection ratio is expressed as:

$R = \text{Reflectance Factor}_{\text{white board}} \times (L_{\text{center}} / L_{\text{white board}})$

$L_{\text{center}}$  is the luminance measured at center in a white area ( $R=G=B=1$ ).

$L_{\text{white board}}$  is the luminance of a standard white board. Both are measured with equivalent illumination source. The viewing angle shall be no more than 2 degrees.

GOOD DISPLAY

## 9. HANDLING, SAFETY AND ENVIROMENTAL REQUIREMENTS AND REMARK

### WARNING

The display glass may break when it is dropped or bumped on a hard surface. Handle with care. Should the display break, do not touch the electrophoretic material. In case of contact with electrophoretic material, wash with water and soap.

### CAUTION

The display module should not be exposed to harmful gases, such as acid and alkali gases, which corrode electronic components.

Disassembling the display module can cause permanent damage and invalidate the warranty agreements.

IPA solvent can only be applied on active area and the back of a glass. For the rest part, it is not allowed.

### Mounting Precautions

(1) It's recommended that you consider the mounting structure so that uneven force (ex. Twisted stress) is not applied to the module.

(2) It's recommended that you attach a transparent protective plate to the surface in order to protect the EPD. Transparent protective plate should have sufficient strength in order to resist external force.

(3) You should adopt radiation structure to satisfy the temperature specification.

(4) Acetic acid type and chlorine type materials for the cover case are not desirable because the former generates corrosive gas of attacking the PS at high temperature and the latter causes circuit break by electro-chemical reaction.

(5) Do not touch, push or rub the exposed PS with glass, tweezers or anything harder than HB pencil lead. And please do not rub with dust clothes with chemical treatment. Do not touch the surface of PS for bare hand or greasy cloth. (Some cosmetics deteriorate the PS)

(6) When the surface becomes dusty, please wipe gently with absorbent cotton or other soft materials like chamois soaks with petroleum benzene. Normal-hexane is recommended for cleaning the adhesives used to attach the PS. Do not use acetone, toluene and alcohol because they cause chemical damage to the PS.

(7) Wipe off saliva or water drops as soon as possible. Their long time contact with PS causes deformations and color fading.

### Data sheet status

Product specification

This data sheet contains Preliminary product specifications.

**Limiting values**

Limiting values given are in accordance with the Absolute Maximum Rating System (IEC 134). Stress above one or more of the limiting values may cause permanent damage to the device. These are stress ratings only and operation of the device at these or at any other conditions above those given in the Characteristics sections of the specification is not implied. Exposure to limiting values for extended periods may affect device reliability.

**Application information**

Where application information is given, it is advisory and does not form part of the specification.

**Remark**

All the specifications listed in this document are guaranteed for module only. Post-assembled operation or component(s) may impact module performance or cause unexpected effect or damage and therefore listed specifications is not warranted after any post-assembly operation.

## 10. Reliability Test

	TEST	CONDITION	METHOD	REMARK
1	High-Temperature Operation	T = +65°C, RH = 30% for 240 hrs	IEC 60 068-2-2Bp	--
2	Low-Temperature Operation	T = -15°C for 240 hrs	IEC 60 068-2-2Ab	--
3	Low-Temperature Storage	T = -25°C for 240 hrs Test in white pattern	IEC 60 068-2-1Ab	--
4	High-Temperature, High-Humidity Operation	T = +40°C, RH = 90% for 168 hrs	IEC 60 068-2-3CA	--
5	High-Temperature Storage	T = +70°C, RH = 23% for 240 hrs	IEC 60 068-2-2Bp	
6	High-Temperature, High-Humidity Storage	T = +60°C, RH = 80% for 240 hrs	IEC 60 068-2-3CA	
7	Temperature Cycle	-25°C → +70°C, 100 Cycles 30min 30min Test in white pattern	IEC 60 068-2-14	--
8	Solar radiation test	765 W/m <sup>2</sup> for 168hrs, 40°C Test in white pattern	IEC60 068-2-5Sa	--
9	Package Vibration	1.04G, Frequency: 10~500Hz Direction: X,Y,Z Duration: 1 hours in each direction	Full packed for shipment	--
10	Package Drop Impact	Drop from height of 122 cm on concrete surface. Drop sequence: 1 corner, 3 edges, 6 faces One drop for each.	Full packed for shipment	--
11	Electrostatic Effect (non-operating)	(Machine model) +/- 250V 0Ω, 200pF	IEC 62179, IEC 62180	--

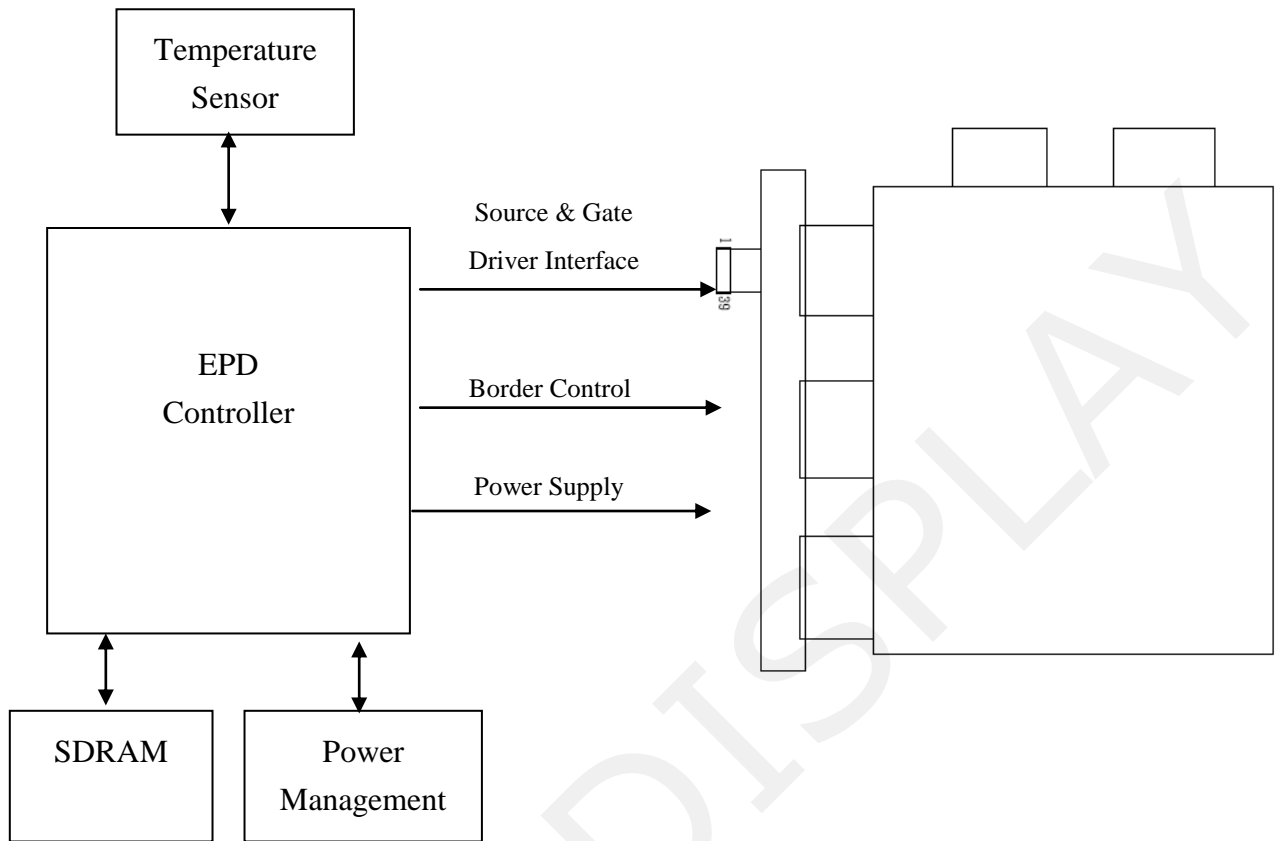
Actual EMC level to be measured on customer application

Note: The protective film must be removed before temperature test.

< Criteria >

In the standard conditions, there is not display function NG issue occurred. (including : line defect ,no image). All the cosmetic specification is judged before the reliability stress.

### 11. Block Diagram



### 12.Packing

REV	DESCRIPTION	DESIGN	DATE
01	INITIAL RELEASE		

**NOTE:**  
 1. One layer include: 1 piece of cushion sheet, 1 pcs panel & 1 piece of tray.  
 2. Q'TY: 12 pcs panel/carton.  
 3. Dimension: 455\*375\*190mm  
 4. Weight: 5.0 KG

ITEM	DESCRIPTION	QTY	REMARK
8	EASY TAPE	12	For Handle Protect Sheet
7	30g 缓冲垫材料 73*95mm (MNLK0030)	2	
6	CARTON INTERNAL	1	
5	开口袋 450*380*700mm	1	抗静电
4	ED133UT2	12	
3	EPE CUSHION SHEET	12	抗静电
2	PET TRAY	13	抗静电
1	EPE FOAM	2	

MTL.SPEC.	UNSPECIFIED TOL'S	REMARK		
	ANGLE			
	ROUGHNESS			
APPROVE	SCALE	UNIT	SHEET	DWG.TITLE
CHECK	1:1	mm	1 OF 1	
DESIGN	MTL.NO.	DWG.NO.		A4 SIZE



### 13. Bar ode definit

EGA   00   6   01   1   I   7   4   00361   A   T  
1   2   3   4   2   5   6   2   7   2   8

1 : EPD model code

2 : Internal control codes

3 : Internal control codes

4 : Internal control codes

5 : Year:  
P: 2014 / Q: 2015 / R: 2016 /... / Z: 2024



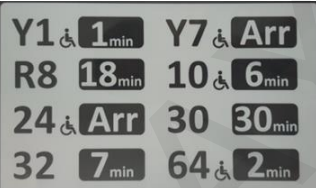
6 : Month:  
1:Jan. 2:Feb. ... 9:Sep. A:Oct. B:Nov. C:Dec.

7 : Serial number  
00000-99999

8 : Internal control codes

## 14. Appendix (Outdoor Application Note)

### Optical Performance

ED133UT3 - Signage Check		
-15C, CR>5	25C, CR>10	65C, CR>5
		

- For outdoor applications, the EPD module is imported into WTWF to support operation at higher temperature up to 65C and lower temperature to -15C.
- Regarding the WDU test sequence, we do not expect to be able to achieve general performance consistently.
- The purpose of 1bit WTWF is to ensure EPD function and keep clear information.

### Waveform mode support

- **Waveform mode support for wide temp**

MODE 0 = INIT (0 to 50C)

MODE 1 = WDU (-15C to 65C), 1bit only

MODE 2 = GC16 (0 to 50 C), 4bit

- Only WDU is rated for use from -15 to +65 C
- GC16 and INIT are only valid from 0 to 50 C, If used outside the range, the display will update and the image quality will be very poor

- **Recommended Usage Mode**

- WDU : Image (A) → Black(WDU) → White(WDU) → Image (B)
  - \*Image A can be graytone and Image B can only contain Black and White
  - \*To insert additional black & white image between image (A)(B) is needed at high/low temperature to remove ghosting
  - More black & white image can have better ghosting performance
- GC16 : Image (A) → Image (B)
  - \*Image A and Image can be 4bit grayscale

- **The terminology of WF mode**

- WDU : WDU is very similar to DU except temperature range is -15 to +65C  
1bit, Black/White, no flashing (direct transition)