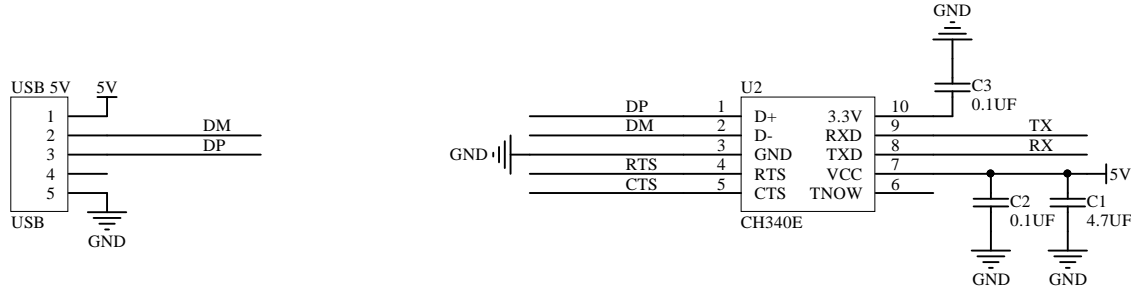
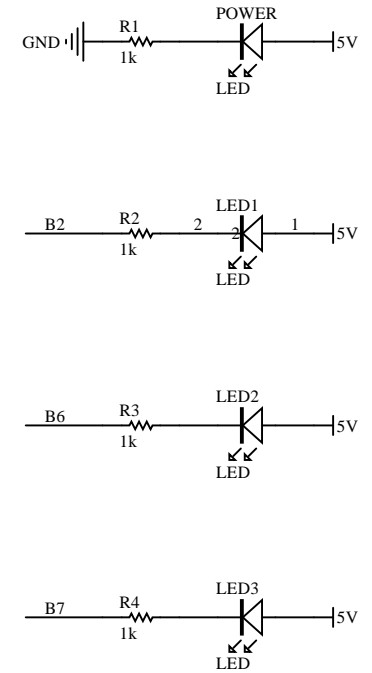


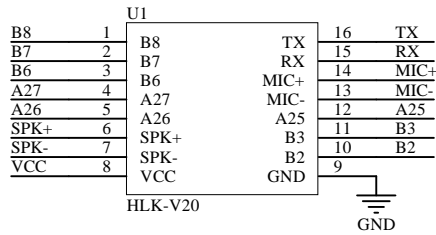
USB to UART



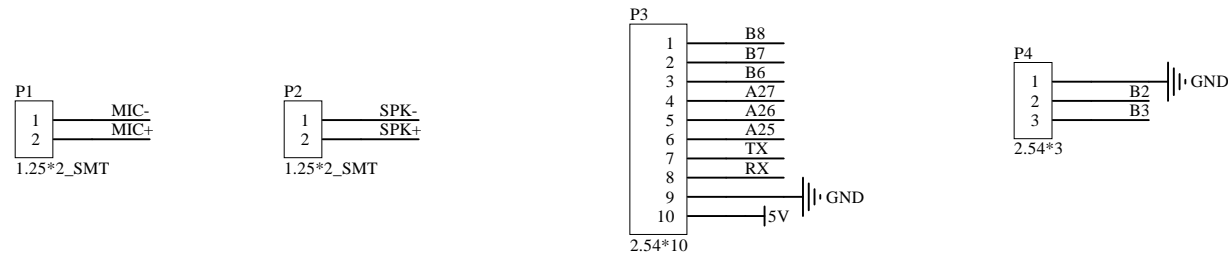
LED



HLK-V20 module



Interface



Title		
SHENZHEN HI-LINK ELECTRONIC CO.,LTD		
Size	Number	Revision
A4	HLK-V20-KIT	V2.1
Date:	2021-03-23	Sheet of
File:	F:\项目\...\HLK-V20-KIT-V2.1.SCHDOC	Drawn By: CHARLES