

SSD1315

Advance Information

128 x 64 Dot Matrix OLED/PLED Segment/Common Driver with Controller

This document contains information on a new product. Specifications and information herein are subject to change without notice.

<http://www.solomon-systech.com>

Appendix: IC Revision history of SSD1315 Specification

Version	Change Items	Effective Date
1.0	1 st Release	05-Jan-17
1.1	Revise typo of number of I _{SEG} in DC characteristics	02-May-17

CONTENTS

- 1 GENERAL DESCRIPTION6**
- 2 FEATURES.....6**
- 3 ORDERING INFORMATION6**
- 4 BLOCK DIAGRAM7**
- 5 PIN DESCRIPTION8**
- 6 FUNCTIONAL BLOCK DESCRIPTIONS.....11**
 - 6.1 MCU INTERFACE SELECTION 11
 - 6.1.1 MCU Parallel 6800-series Interface 11
 - 6.1.2 MCU Parallel 8080-series Interface 12
 - 6.1.3 MCU Serial Interface (4-wire SPI)..... 13
 - 6.1.4 MCU Serial Interface (3-wire SPI)..... 14
 - 6.1.5 MCU I²C Interface 15
 - 6.2 COMMAND DECODER..... 18
 - 6.3 OSCILLATOR CIRCUIT AND DISPLAY TIME GENERATOR 18
 - 6.4 FR SYNCHRONIZATION 19
 - 6.5 RESET CIRCUIT 19
 - 6.6 SEGMENT DRIVERS / COMMON DRIVERS 20
 - 6.7 GRAPHIC DISPLAY DATA RAM (GDDRAM) 21
 - 6.8 SEG/COM DRIVING BLOCK..... 22
 - 6.9 POWER ON AND OFF SEQUENCE 23
 - 6.9.1 Power ON and OFF sequence with External V_{CC}..... 23
 - 6.9.2 Power ON and OFF sequence with Charge Pump Application..... 24
 - 6.10 CHARGE PUMP REGULATOR 25
- 7 MAXIMUM RATINGS.....26**
- 8 DC CHARACTERISTICS27**
- 9 AC CHARACTERISTICS28**
- 10 APPLICATION EXAMPLE34**

TABLES

Table 3-1: Ordering Information.....	6
Table 5-1: Pin Description.....	8
Table 5-2: Bus Interface selection.....	8
Table 6-1: MCU interface assignment under different bus interface mode	11
Table 6-2: Control pins of 6800 interface.....	11
Table 6-3: Control pins of 8080 interface.....	13
Table 6-4: Control pins of 4-wire Serial interface.....	13
Table 6-5: Control pins of 3-wire Serial interface.....	14
Table 7-1: Maximum Ratings	26
Table 8-1: DC Characteristics.....	27
Table 9-1: AC Characteristics.....	28
Table 9-2: 6800-Series MCU Parallel Interface Timing Characteristics	29
Table 9-3: 8080-Series MCU Parallel Interface Timing Characteristics	30
Table 9-4: Serial Interface Timing Characteristics (4-wire SPI).....	31
Table 9-5: Serial Interface Timing Characteristics (3-wire SPI).....	32
Table 9-6: I2C Interface Timing Characteristics	33

FIGURES

Figure 4-1: SSD1315 Block Diagram	7
Figure 6-1: Data read back procedure - insertion of dummy read	12
Figure 6-2: Example of Write procedure in 8080 parallel interface mode.....	12
Figure 6-3: Example of Read procedure in 8080 parallel interface mode.....	12
Figure 6-4: Display data read back procedure - insertion of dummy read.....	13
Figure 6-5: Write procedure in 4-wire Serial interface mode	14
Figure 6-6: Write procedure in 3-wire Serial interface mode	14
Figure 6-7: I ² C-bus data format	16
Figure 6-8: Definition of the Start and Stop Condition	17
Figure 6-9: Definition of the acknowledgement condition	17
Figure 6-10: Definition of the data transfer condition	17
Figure 6-11: Oscillator Circuit and Display Time Generator.....	18
Figure 6-12: Segment Output Waveform in three phases	20
Figure 6-13: GDDRAM pages structure.....	21
Figure 6-14: Enlargement of GDDRAM (No row re-mapping and column-remapping).....	21
Figure 6-15: I _{REF} Current Setting by Resistor Value	22
Figure 6-16: The Power ON Sequence.....	23
Figure 6-17: The Power OFF Sequence	23
Figure 6-18: The Power ON sequence with Charge Pump Application	24
Figure 6-19: The Power OFF sequence with Charge Pump Application.....	24
Figure 9-1: 6800-series MCU parallel interface characteristics	29
Figure 9-2: 8080-series parallel interface characteristics.....	30
Figure 9-3: Serial interface characteristics (4-wire SPI).....	31
Figure 9-4: Serial interface characteristics (3-wire SPI).....	32
Figure 9-5 I2C interface Timing characteristics.....	33
Figure 10-1: Application Example of SSD1315 with External V _{CC} and I ² C interface	34
Figure 10-2: Application Example of SSD1315 with Internal Charge Pump and I ² C interface.....	34

1 GENERAL DESCRIPTION

SSD1315 is a single-chip CMOS OLED/PLED driver with controller for organic/polymer light emitting diode dot-matrix graphic display system. It consists of 128 segments and 64 commons. This IC is designed for Common Cathode type OLED/PLED panel.

SSD1315 displays data directly from its internal 128 x 64 bits Graphic Display Data RAM (GDDRAM). Data/Commands are sent from general MCU through the hardware selectable I2C Interface, 6800-/8080-series compatible Parallel Interface or Serial Peripheral Interface.

The 256 steps contrast control and oscillator which embedded in SSD1315 reduces the number of external components. SSD1315 is suitable for portable applications requiring a compact size and high output brightness, such as set-top box, car audio, wearable electronics, etc.

2 FEATURES

- Resolution: 128 x 64 dot matrix panel
- Power supply
 - $V_{DD} = 1.65V - 3.5V, \leq V_{BAT}$ (for IC logic)
 - $V_{BAT} = 3.0V - 4.5V$ (for charge bump regulator circuit)
 - $V_{CC} = 7.5V - 16.5V$ (for Panel driving)
- Segment maximum source current: 240uA
- Common maximum sink current: 30mA
- Embedded 128 x 64 bit SRAM display buffer
- Pin selectable MCU Interfaces:
 - 8 bits 6800/8080-series parallel Interface
 - 3/4 wire Serial Peripheral Interface
 - I²C Interface
- Screen saving continuous scrolling function in both horizontal and vertical direction
- Screen saving infinite content scrolling function
- Internal or external I_{REF} selection
- Internal charge pump regulator
- RAM write synchronization signal
- Programmable Frame Rate and Multiplexing Ratio
- Row Re-mapping and Column Re-mapping
- Power On Reset (POR)
- Dynamic Grayscale
- On-Chip Oscillator
- Chip layout for COG, COF
- Wide range of operating temperature: -40°C to 85°C

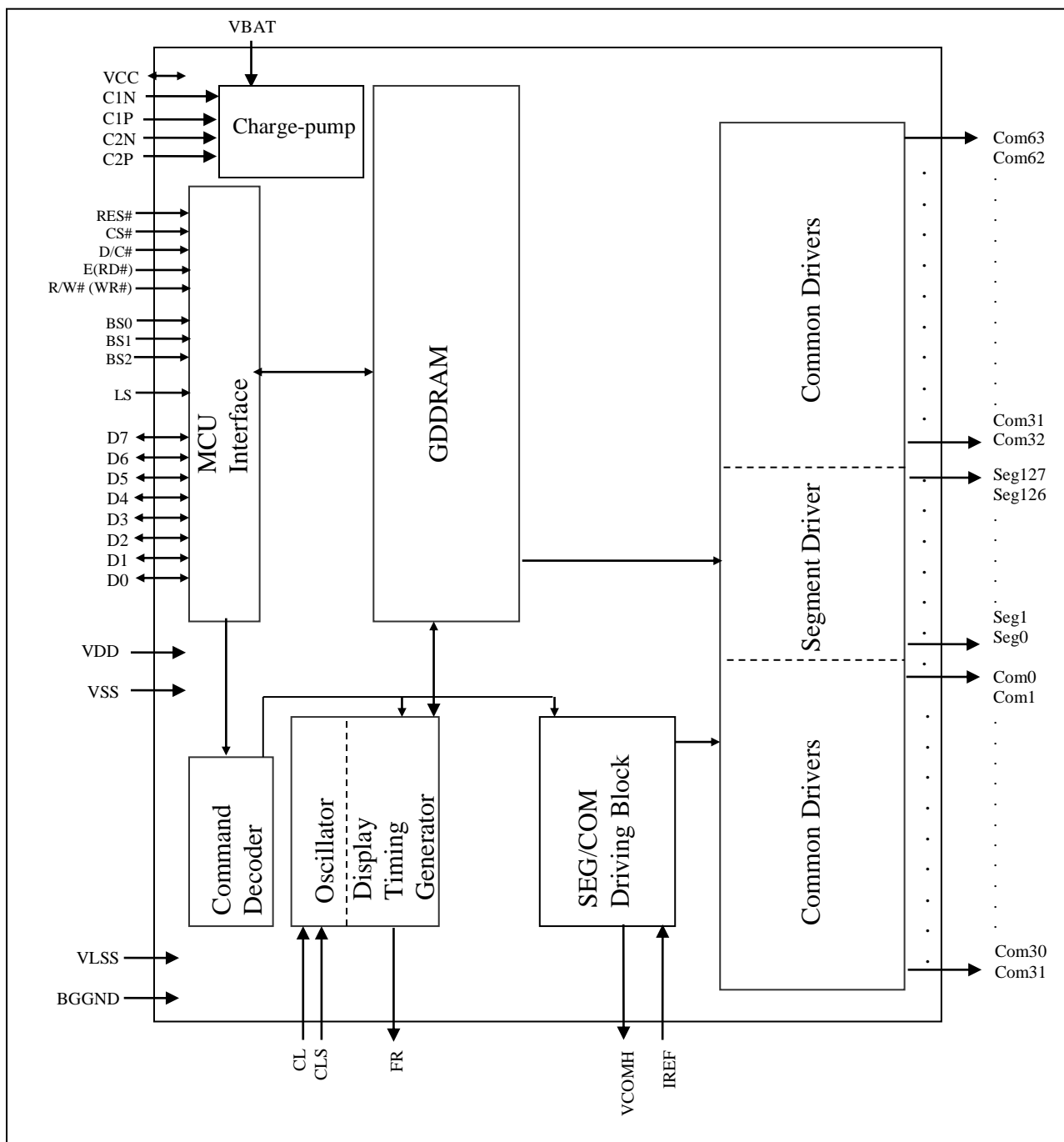
3 ORDERING INFORMATION

Table 3-1: Ordering Information

Ordering Part Number	SEG	COM	Package Form	Remark
SSD1315Z	128	64	COG	<ul style="list-style-type: none"> ○ Min SEG pad pitch : 27um ○ Min COM pad pitch : 27um ○ Min I/O pad pitch : 30um ○ Die thickness: 250um ○ Bump height: nominal 9um

4 BLOCK DIAGRAM

Figure 4-1: SSD1315 Block Diagram



5 PIN DESCRIPTION

Key:

I = Input	NC = Not Connected
O = Output	Pull LOW = connect to Ground
I/O = Bi-directional (input/output)	Pull HIGH = connect to V _{DD}
P = Power pin	

Table 5-1: Pin Description

Pin Name	Type	Description												
V _{DD}	P	Power supply pin for core logic operation.												
V _{CC}	P	Power supply for panel driving voltage. This is also the most positive power voltage supply pin. When charge pump is enabled, a capacitor should be connected between this pin and V _{SS} .												
V _{SS}	P	Ground pin. It must be connected to external ground.												
V _{LSS}	P	This is an analog ground pin. It should be connected to V _{SS} externally.												
V _{COMH}	O	COM signal deselected voltage level. A capacitor should be connected between this pin and V _{SS} .												
V _{BAT}	P	Power supply for charge pump regulator circuit. <table border="1" style="margin-left: 20px;"> <thead> <tr> <th>Status</th> <th>V_{BAT}</th> <th>V_{DD}</th> <th>V_{CC}</th> </tr> </thead> <tbody> <tr> <td>Enable charge pump</td> <td>Connect to external V_{BAT} source</td> <td>Connect to external V_{DD} source</td> <td>A capacitor should be connected between this pin and V_{SS}</td> </tr> <tr> <td>Disable charge pump</td> <td>Keep float</td> <td>Connect to external V_{DD} source</td> <td>Connect to external V_{CC} source</td> </tr> </tbody> </table>	Status	V _{BAT}	V _{DD}	V _{CC}	Enable charge pump	Connect to external V _{BAT} source	Connect to external V _{DD} source	A capacitor should be connected between this pin and V _{SS}	Disable charge pump	Keep float	Connect to external V _{DD} source	Connect to external V _{CC} source
Status	V _{BAT}	V _{DD}	V _{CC}											
Enable charge pump	Connect to external V _{BAT} source	Connect to external V _{DD} source	A capacitor should be connected between this pin and V _{SS}											
Disable charge pump	Keep float	Connect to external V _{DD} source	Connect to external V _{CC} source											
BGGND	P	Reserved pin. It should be connected to V _{SS} .												
C1P/C1N C2P/C2N	I	C1P/C1N – Pin for charge pump capacitor; Connect to each other with a capacitor. C2P/C2N – Pin for charge pump capacitor; Connect to each other with a capacitor.												
LS	I	Reserved pin. It should be connected to V _{SS} .												
BS[2:0]	I	MCU bus interface selection pins. Select appropriate logic setting as described in the following table. BS2, BS1 and BS0 are pin select. <div style="text-align: center;"> <p>Table 5-2: Bus Interface selection</p> <table border="1"> <thead> <tr> <th>BS[2:0]</th> <th>Interface</th> </tr> </thead> <tbody> <tr> <td>000</td> <td>4 line SPI</td> </tr> <tr> <td>001</td> <td>3 line SPI</td> </tr> <tr> <td>010</td> <td>I²C</td> </tr> <tr> <td>110</td> <td>8-bit 8080 parallel</td> </tr> <tr> <td>100</td> <td>8-bit 6800 parallel</td> </tr> </tbody> </table> </div> <p>Note (1) 0 is connected to V_{SS} (2) 1 is connected to V_{DD}</p>	BS[2:0]	Interface	000	4 line SPI	001	3 line SPI	010	I ² C	110	8-bit 8080 parallel	100	8-bit 6800 parallel
BS[2:0]	Interface													
000	4 line SPI													
001	3 line SPI													
010	I ² C													
110	8-bit 8080 parallel													
100	8-bit 6800 parallel													

Pin Name	Type	Description
I _{REF}	I	This is segment output current reference pin. When external I _{REF} is used, a resistor should be connected between this pin and V _{SS} to maintain the I _{REF} current at 30uA. Please refer to Figure 6-15 for the details of resistor value. When internal I _{REF} is used, this pin should be kept NC.
FR	O	This pin outputs RAM write synchronization signal. Proper timing between MCU data writing and frame display timing can be achieved to prevent tearing effect. It should be kept NC if it is not used.
CL	I	This is external clock input pin. When internal clock is enabled (i.e. HIGH in CLS pin), this pin is not used and should be connected to V _{SS} . When internal clock is disabled (i.e. LOW in CLS pin), this pin is the external clock source input pin.
CLS	I	This is internal clock enable pin. When it is pulled HIGH (i.e. connect to V _{DD}), internal clock is enabled. When it is pulled LOW, the internal clock is disabled; an external clock source must be connected to the CL pin for normal operation.
RES#	I	This pin is reset signal input. When the pin is pulled LOW, initialization of the chip is executed. Keep this pin HIGH (i.e. connect to V _{DD}) during normal operation.
CS#	I	This pin is the chip select input connecting to the MCU. The chip is enabled for MCU communication only when CS# is pulled LOW (active LOW).
D/C#	I	This pin is Data/Command control pin connecting to the MCU. When the pin is pulled HIGH, the data at D[7:0] will be interpreted as data. When the pin is pulled LOW, the data at D[7:0] will be transferred to a command register. In I ² C mode, this pin acts as SA0 for slave address selection. When 3-wire serial interface is selected, this pin must be connected to V _{SS} . For detail relationship to MCU interface signals, refer to Timing Characteristics Diagrams Figure 9-1 to Figure 9-3 .
E (RD#)	I	This pin is MCU interface input. When 6800 interface mode is selected, this pin will be used as the Enable (E) signal. Read/write operation is initiated when this pin is pulled HIGH and the chip is selected. When 8080 interface mode is selected, this pin receives the Read (RD#) signal. Read operation is initiated when this pin is pulled LOW and the chip is selected. When serial or I ² C interface is selected, this pin must be connected to V _{SS} .
R/W#(WR#)	I	This is read / write control input pin connecting to the MCU interface. When interfacing to a 6800-series microprocessor, this pin will be used as Read/Write (R/W#) selection input. Read mode will be carried out when this pin is pulled HIGH (i.e. connect to V _{DD}) and write mode when LOW. When 8080 interface mode is selected, this pin will be the Write (WR#) input. Data write operation is initiated when this pin is pulled LOW and the chip is selected. When serial or I ² C interface is selected, this pin must be connected to V _{SS} .

Pin Name	Type	Description
D[7:0]	IO	<p>These pins are bi-directional data bus connecting to the MCU data bus. Unused pins are recommended to tie LOW.</p> <p>When serial interface mode is selected, D2 should be either tied LOW or tied together with D1 as the serial data input: SDIN, and D0 will be the serial clock input: SCLK.</p> <p>When I²C mode is selected, D2, D1 should be tied together and serve as SDA_{out}, SDA_{in} in application and D0 is the serial clock input, SCL.</p>
TR[12:0]	-	Reserved pin. It should be kept NC.
SEG0 ~ SEG127	O	These pins provide Segment switch signals to OLED panel. These pins are V _{SS} state when display is OFF.
COM0 ~ COM63	O	These pins provide Common switch signals to OLED panel. They are in high impedance state when display is OFF.
NC	-	This is dummy pin. It should be kept NC.

6 FUNCTIONAL BLOCK DESCRIPTIONS

6.1 MCU Interface Selection

SSD1315 MCU interface consist of 8 data pins and 5 control pins. The pin assignment at different interface mode is summarized in **Table 6-1**. Different MCU mode can be set by hardware selection on BS[2:0] pins (please refer to **Table 5-2** for BS[2:0] setting).

Table 6-1: MCU interface assignment under different bus interface mode

Pin Name Bus Interface	Data/Command Interface								Control Signal				
	D7	D6	D5	D4	D3	D2	D1	D0	E	R/W#	CS#	D/C#	RES#
8-bit 8080	D[7:0]								RD#	WR#	CS#	D/C#	RES#
8-bit 6800	D[7:0]								E	R/W#	CS#	D/C#	RES#
3-wire SPI	Tie LOW				SDIN ⁽¹⁾		SCLK	Tie LOW		CS#	Tie LOW	RES#	
4-wire SPI	Tie LOW				SDIN ⁽¹⁾		SCLK	Tie LOW		CS#	D/C#	RES#	
I ² C	Tie LOW				SDA _{OUT}	SDA _{IN}	SCL	Tie LOW			SA0	RES#	

Note: ⁽¹⁾ In 3-wire SPI or 4-wire SPI interface, D2 should be either tied LOW or tied together with D1 as the serial data input: SDIN.

6.1.1 MCU Parallel 6800-series Interface

The parallel interface consists of 8 bi-directional data pins (D[7:0]), R/W#, D/C#, E and CS#.

A LOW in R/W# indicates WRITE operation and HIGH in R/W# indicates READ operation.

A LOW in D/C# indicates COMMAND read/write and HIGH in D/C# indicates DATA read/write.

The E input serves as data latch signal while CS# is LOW. Data is latched at the falling edge of E signal.

Table 6-2: Control pins of 6800 interface

Function	E	R/W#	CS#	D/C#
Write command	↓	L	L	L
Read status	↓	H	L	L
Write data	↓	L	L	H
Read data	↓	H	L	H

Note

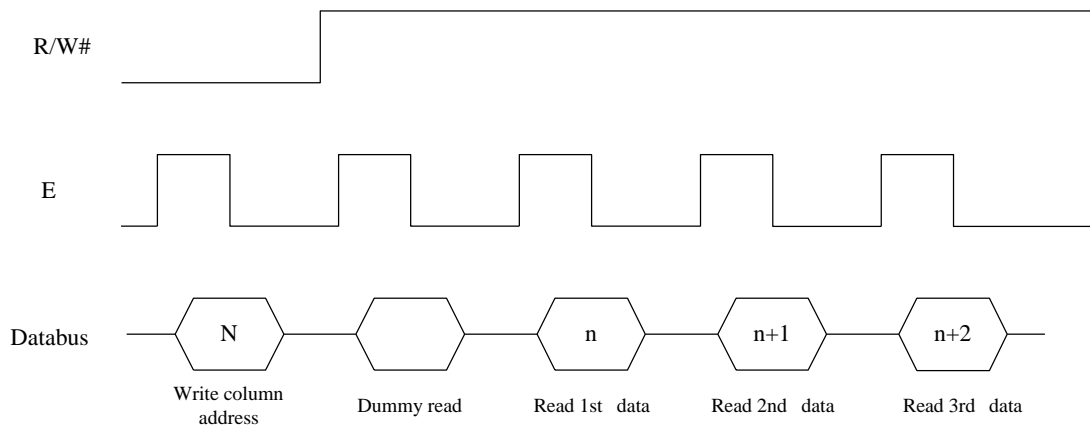
⁽¹⁾ ↓ stands for falling edge of signal

H stands for HIGH in signal

L stands for LOW in signal

In order to match the operating frequency of display RAM with that of the microprocessor, some pipeline processing is internally performed which requires the insertion of a dummy read before the first actual display data read. This is shown in **Figure 6-1**.

Figure 6-1: Data read back procedure - insertion of dummy read



6.1.2 MCU Parallel 8080-series Interface

The parallel interface consists of 8 bi-directional data pins (D[7:0]), RD#, WR#, D/C# and CS#.

A LOW in D/C# indicates COMMAND read/write and HIGH in D/C# indicates DATA read/write.

A rising edge of RD# input serves as a data READ latch signal while CS# is kept LOW.

A rising edge of WR# input serves as a data/command WRITE latch signal while CS# is kept LOW.

Figure 6-2: Example of Write procedure in 8080 parallel interface mode

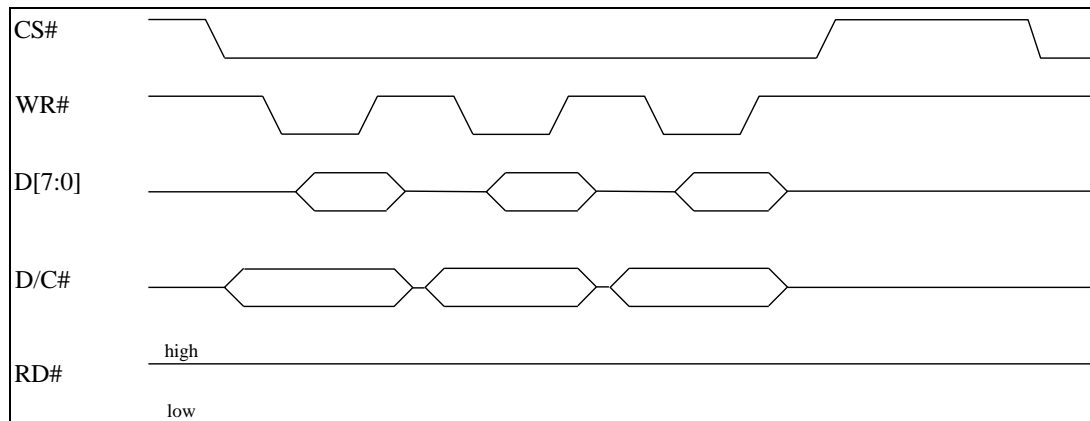


Figure 6-3: Example of Read procedure in 8080 parallel interface mode

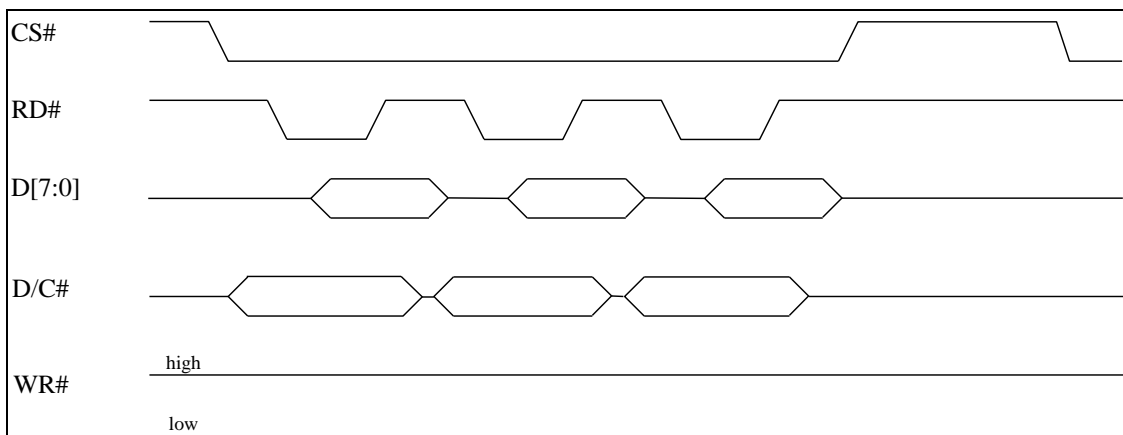


Table 6-3: Control pins of 8080 interface

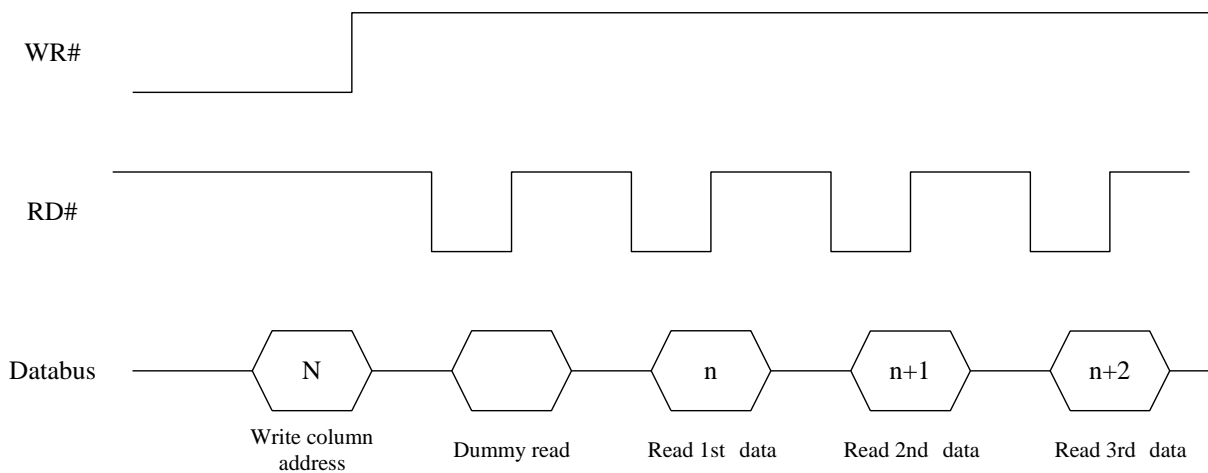
Function	RD#	WR#	CS#	D/C#
Write command	H	↑	L	L
Read status	↑	H	L	L
Write data	H	↑	L	H
Read data	↑	H	L	H

Note

- (1) ↑ stands for rising edge of signal
- (2) H stands for HIGH in signal
- (3) L stands for LOW in signal

In order to match the operating frequency of display RAM with that of the microprocessor, some pipeline processing is internally performed which requires the insertion of a dummy read before the first actual display data read. This is shown in **Figure 6-4**.

Figure 6-4: Display data read back procedure - insertion of dummy read



6.1.3 MCU Serial Interface (4-wire SPI)

The 4-wire serial interface consists of serial clock: SCLK, serial data: SDIN, D/C#, CS#. In 4-wire SPI mode, D0 acts as SCLK, D1 and D2 are tied together to act as SDIN. For the unused data pins from D3 to D7, E(RD#) and R/W#(WR#) can be connected to an external ground.

Table 6-4: Control pins of 4-wire Serial interface

Function	E	R/W#	CS#	D/C#	D0
Write command	Tie LOW	Tie LOW	L	L	↑
Write data	Tie LOW	Tie LOW	L	H	↑

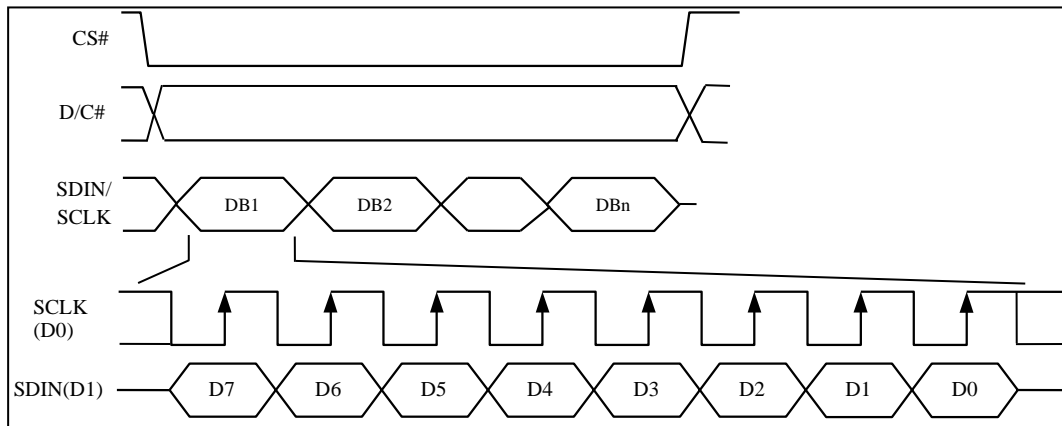
Note

- (1) H stands for HIGH in signal
- (2) L stands for LOW in signal
- (3) ↑ stands for rising edge of signal

SDIN is shifted into an 8-bit shift register on every rising edge of SCLK in the order of D7, D6, ..., D0. D/C# is sampled on every eighth clock and D/C# should be kept stable throughout eight clock period. The data byte in the shift register is written to the Graphic Display Data RAM (GDDRAM) or command register in the same clock.

Under serial mode, only write operations are allowed.

Figure 6-5: Write procedure in 4-wire Serial interface mode



6.1.4 MCU Serial Interface (3-wire SPI)

The 3-wire serial interface consists of serial clock SCLK, serial data SDIN and CS#.

In 3-wire SPI mode, D0 acts as SCLK, D1 and D2 are tied together to act as SDIN. For the unused data pins from D3 to D7, R/W# (WR#), E(RD#) and D/C# can be connected to an external ground.

The operation is similar to 4-wire serial interface while D/C# pin is not used. There are altogether 9-bits will be shifted into the shift register on every ninth clock in sequence: D/C# bit, D7 to D0 bit. The D/C# bit (first bit of the sequential data) will determine the following data byte in the shift register is written to the Display Data RAM (D/C# bit = 1) or the command register (D/C# bit = 0).

Under serial mode, only write operations are allowed.

Table 6-5: Control pins of 3-wire Serial interface

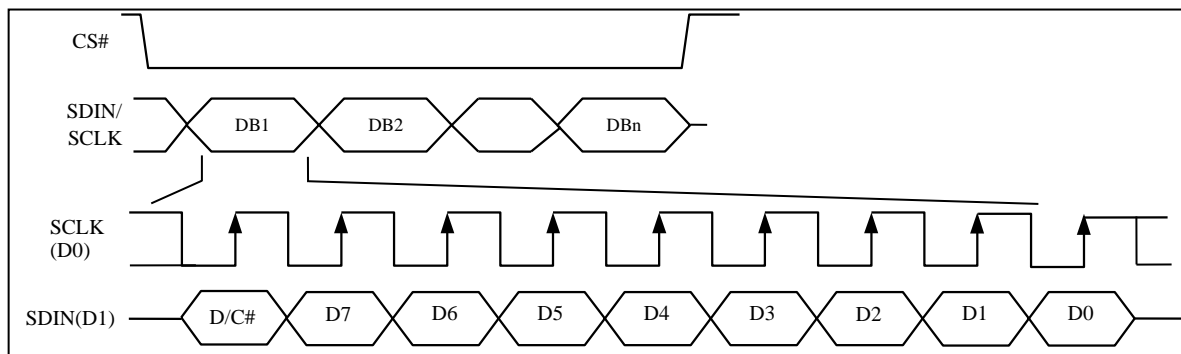
Function	E(RD#)	R/W#(WR#)	CS#	D/C#	D0
Write command	Tie LOW	Tie LOW	L	Tie LOW	↑
Write data	Tie LOW	Tie LOW	L	Tie LOW	↑

Note

⁽¹⁾ L stands for LOW in signal

⁽²⁾ ↑ stands for rising edge of signal

Figure 6-6: Write procedure in 3-wire Serial interface mode



6.1.5 MCU I²C Interface

The I²C communication interface consists of slave address bit SA0, I²C-bus data signal SDA (SDA_{OUT}/D₂ for output and SDA_{IN}/D₁ for input) and I²C-bus clock signal SCL (D₀). Both the data and clock signals must be connected to pull-up resistors. RES# is used for the initialization of device.

a) Slave address bit (SA0)

SSD1315 has to recognize the slave address before transmitting or receiving any information by the I²C-bus. The device will respond to the slave address following by the slave address bit (“SA0” bit) and the read/write select bit (“R/W#” bit) with the following byte format,

```
b7 b6 b5 b4 b3 b2 b1 b0
0 1 1 1 1 0 SA0 R/W#
```

“SA0” bit provides an extension bit for the slave address. Either “0111100” or “0111101”, can be selected as the slave address of SSD1315. D/C# pin acts as SA0 for slave address selection.

“R/W#” bit is used to determine the operation mode of the I²C-bus interface. R/W# = 1, it is in read mode. R/W# = 0, it is in write mode.

b) I²C-bus data signal (SDA)

SDA acts as a communication channel between the transmitter and the receiver. The data and the acknowledgement are sent through the SDA.

It should be noticed that the ITO track resistance and the pulled-up resistance at “SDA” pin becomes a voltage potential divider. As a result, the acknowledgement would not be possible to attain a valid logic 0 level in “SDA”.

“SDA_{IN}” and “SDA_{OUT}” are tied together and serve as SDA. The “SDA_{IN}” pin must be connected to act as SDA. The “SDA_{OUT}” pin may be disconnected. When “SDA_{OUT}” pin is disconnected, the acknowledgement signal will be ignored in the I²C-bus.

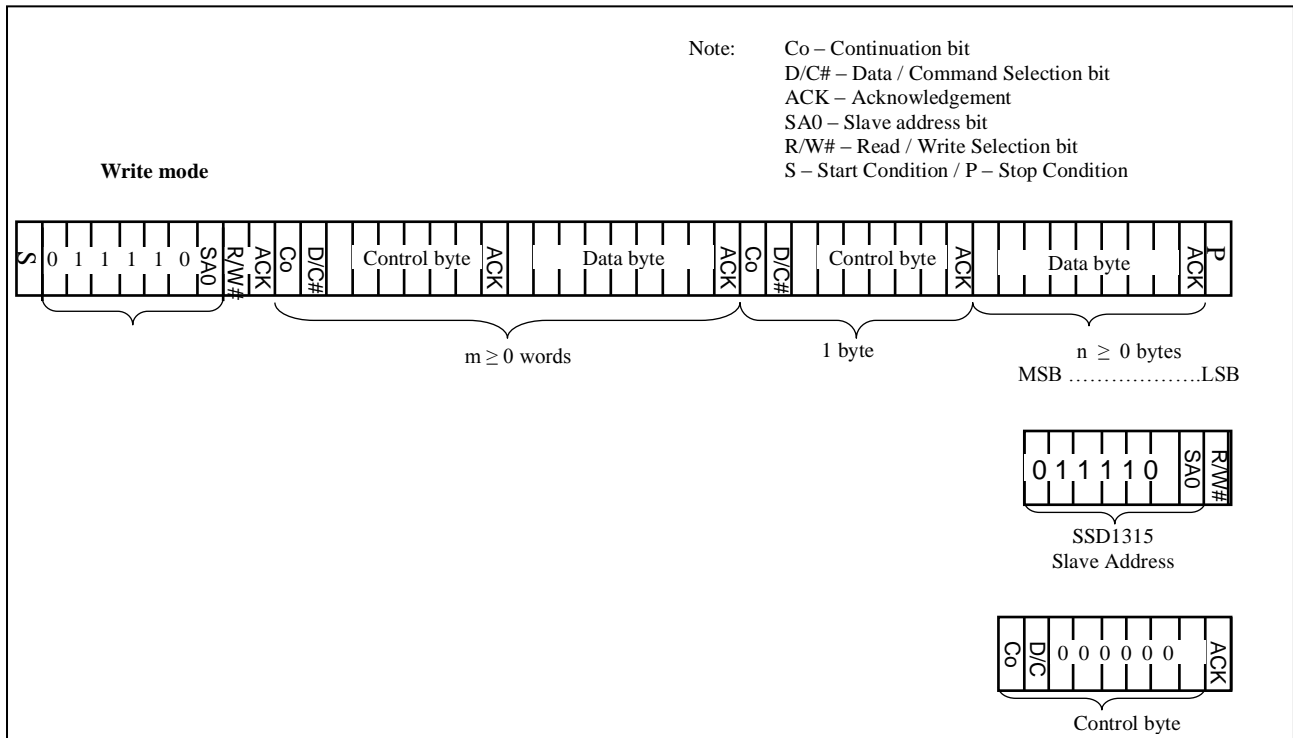
c) I²C-bus clock signal (SCL)

The transmission of information in the I²C-bus is following a clock signal, SCL. Each transmission of data bit is taken place during a single clock period of SCL.

6.1.5.1 I²C-bus Write Data

The I²C-bus interface gives access to write data and command into the device. Please refer to for the write mode of I²C-bus in chronological order.

Figure 6-7: I²C-bus data format



6.1.5.2 Write mode for I2C

- 1) The master device initiates the data communication by a start condition. The definition of the start condition is shown in **Figure 6-8**. The start condition is established by pulling the SDA from HIGH to LOW while the SCL stays HIGH.
- 2) The slave address is following the start condition for recognition use. For the SSD1315, the slave address is either “b0111100” or “b0111101” by changing the SA0 to LOW or HIGH (D/C pin acts as SA0).
- 3) The write mode is established by setting the R/W# bit to logic “0”.
- 4) An acknowledgement signal will be generated after receiving one byte of data, including the slave address and the R/W# bit. Please refer to the **Figure 6-9** for the graphical representation of the acknowledge signal. The acknowledge bit is defined as the SDA line is pulled down during the HIGH period of the acknowledgement related clock pulse.
- 5) After the transmission of the slave address, either the control byte or the data byte may be sent across the SDA. A control byte mainly consists of Co and D/C# bits following by six “0” ‘s.
 - a. If the Co bit is set as logic “0”, the transmission of the following information will contain data bytes only.
 - b. The D/C# bit determines the next data byte is acted as a command or a data. If the D/C# bit is set to logic “0”, it defines the following data byte as a command. If the D/C# bit is set to logic “1”, it defines the following data byte as a data which will be stored at the GDDRAM. The GDDRAM column address pointer will be increased by one automatically after each data write.
- 6) Acknowledge bit will be generated after receiving each control byte or data byte.
- 7) The write mode will be finished when a stop condition is applied. The stop condition is also defined in **Figure 6-8**. The stop condition is established by pulling the “SDA in” from LOW to HIGH while the “SCL” stays HIGH.

Figure 6-8: Definition of the Start and Stop Condition

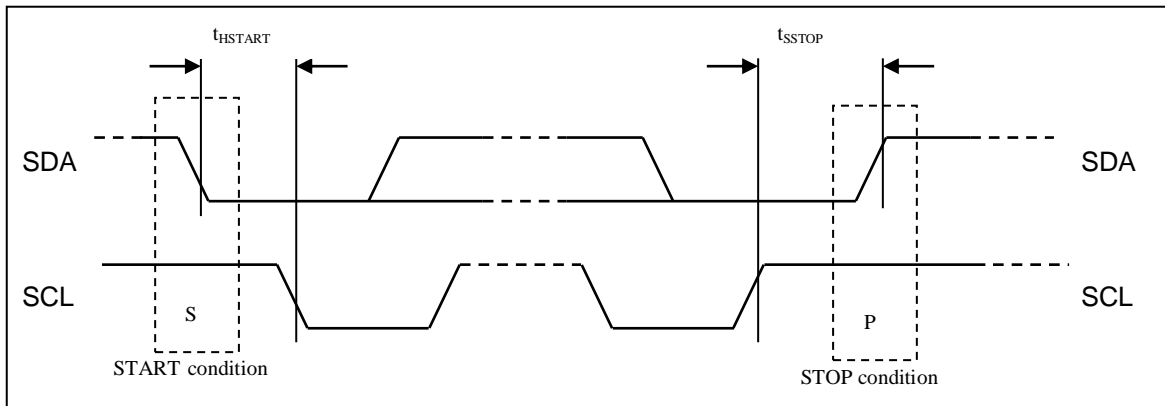
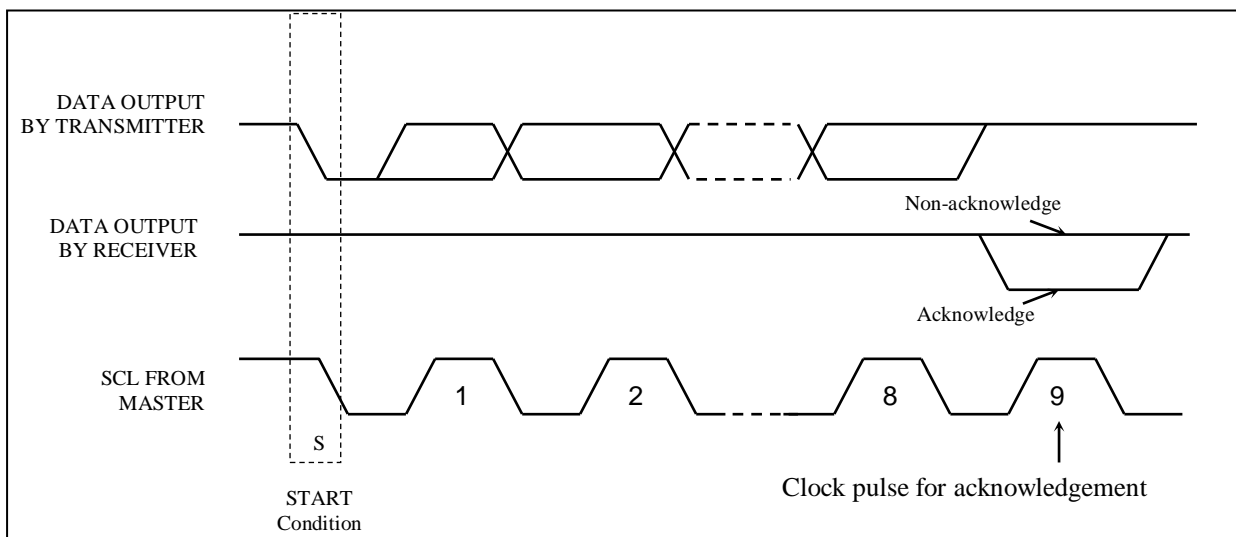


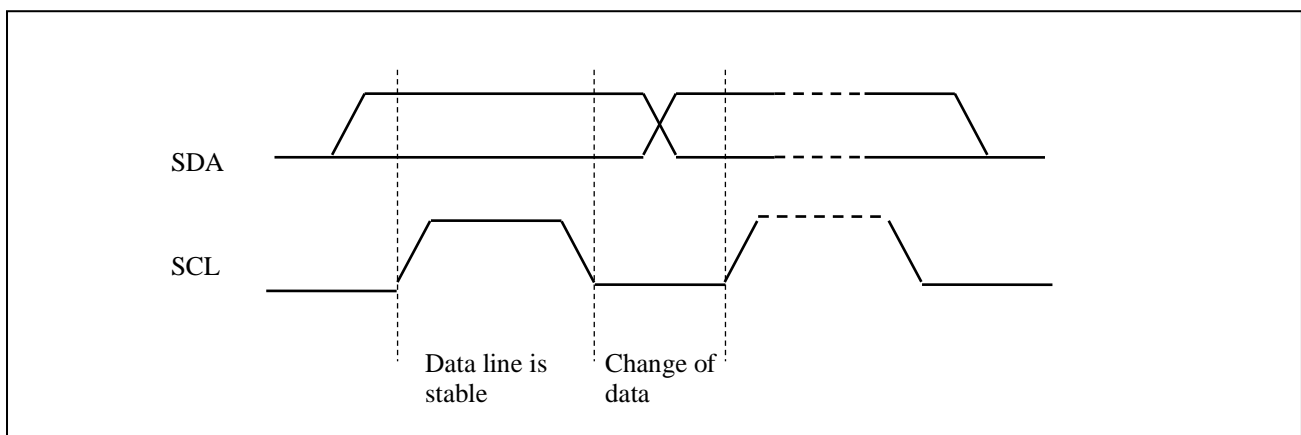
Figure 6-9: Definition of the acknowledgement condition



Please be noted that the transmission of the data bit has some limitations.

1. The data bit, which is transmitted during each SCL pulse, must keep at a stable state within the “HIGH” period of the clock pulse. Please refer to the **Figure 6-10** for graphical representations. Except in start or stop conditions, the data line can be switched only when the SCL is LOW.
2. Both the data line (SDA) and the clock line (SCL) should be pulled up by external resistors.

Figure 6-10: Definition of the data transfer condition



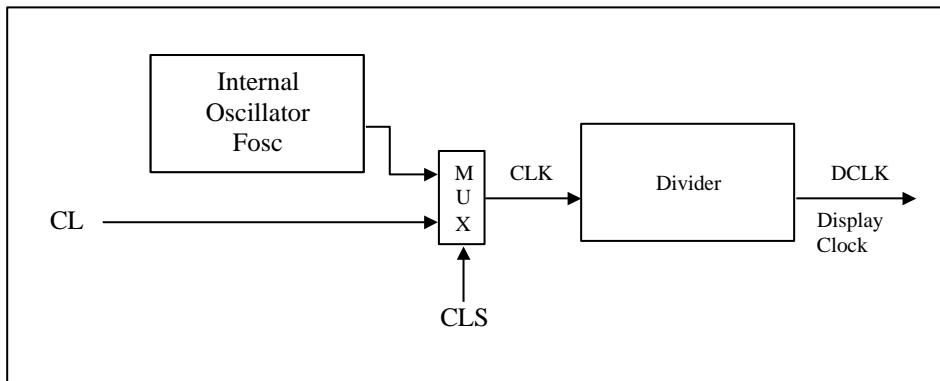
6.2 Command Decoder

This module determines whether the input data is interpreted as data or command. Data is interpreted based upon the input of the D/C# pin.

If D/C# pin is HIGH, D[7:0] is interpreted as display data written to Graphic Display Data RAM (GDDRAM). If it is LOW, the input at D[7:0] is interpreted as a command. Then data input will be decoded and written to the corresponding command register.

6.3 Oscillator Circuit and Display Time Generator

Figure 6-11: Oscillator Circuit and Display Time Generator



This module is an on-chip LOW power RC oscillator circuitry. The operation clock (CLK) can be generated either from internal oscillator or external source CL pin. This selection is done by CLS pin. If CLS pin is pulled HIGH, internal oscillator is chosen and CL should be connected to V_{SS}. Pulling CLS pin LOW disables internal oscillator and external clock must be connected to CL pins for proper operation. When the internal oscillator is selected, its output frequency F_{OSC} can be changed by command D5h A[7:4].

The display clock (DCLK) for the Display Timing Generator is derived from CLK. The division factor “D” can be programmed from 1 to 16 by command D5h

$$DCLK = F_{OSC} / D$$

The frame frequency of display is determined by the following formula.

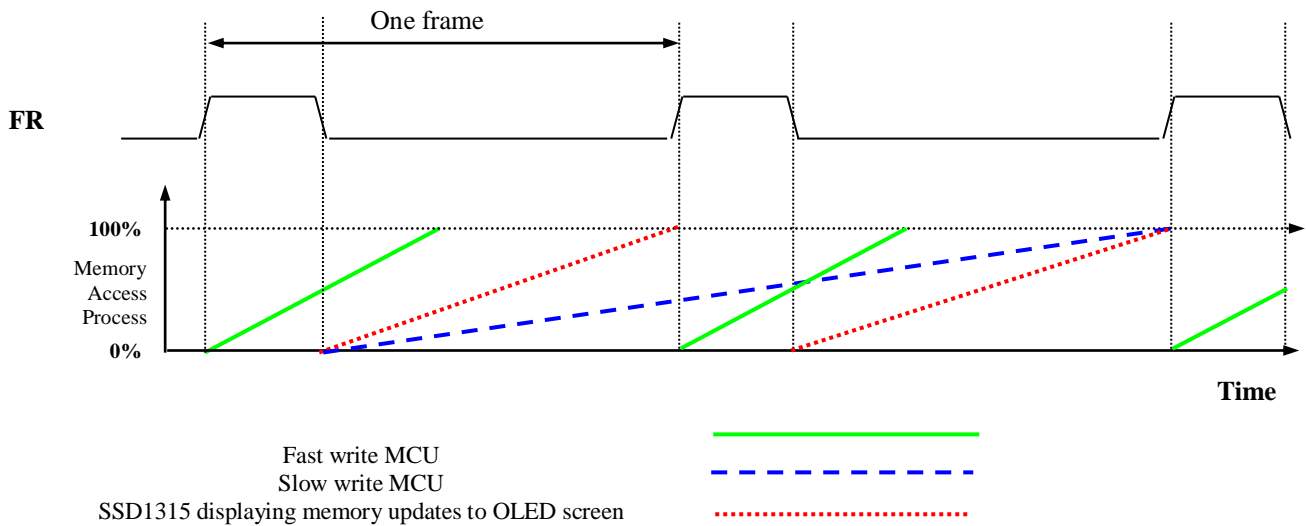
$$F_{FRM} = \frac{F_{osc}}{D \times K \times \text{No. of Mux}}$$

where

- D stands for clock divide ratio. It is set by command D5h A[3:0]. The divide ratio has the range from 1 to 16.
- K is the number of display clocks per row. The value is derived by
 $K = \text{Phase 1 period} + \text{Phase 2 period} + K_0 = 2 + 2 + 99 = 103$ at power on reset (i.e. $K_0 = 99$)
 Please refer to **Section 6.6** for the details of the “Phase”.
- Number of multiplex ratio is set by command A8h. The power on reset value is 63 (i.e. 64MUX).
- F_{OSC} is the oscillator frequency. It can be changed by command D5h A[7:4]. The higher the register setting results in higher frequency.

6.4 FR Synchronization

FR synchronization signal can be used to prevent tearing effect.



The starting time to write a new image to OLED driver is depended on the MCU writing speed. If MCU can finish writing a frame image within one frame period, it is classified as fast write MCU. For MCU needs longer writing time to complete (more than one frame but within two frames), it is a slow write one.

For fast write MCU: MCU should start to write new frame of ram data just after rising edge of FR pulse and should be finished well before the rising edge of the next FR pulse.

For slow write MCU: MCU should start to write new frame ram data after the falling edge of the 1st FR pulse and must be finished before the rising edge of the 3rd FR pulse.

6.5 Reset Circuit

When RES# input is LOW, the chip is initialized with the following status:

1. Display is OFF
2. 128 x 64 Display Mode
3. Normal segment and display data column address and row address mapping (SEG0 mapped to address 00h and COM0 mapped to address 00h)
4. Shift register data clear in serial interface
5. Display start line is set at display RAM address 0
6. Column address counter is set at 0
7. Normal scan direction of the COM outputs
8. Contrast control register is set at 7Fh
9. Normal display mode (Equivalent to A4h command)

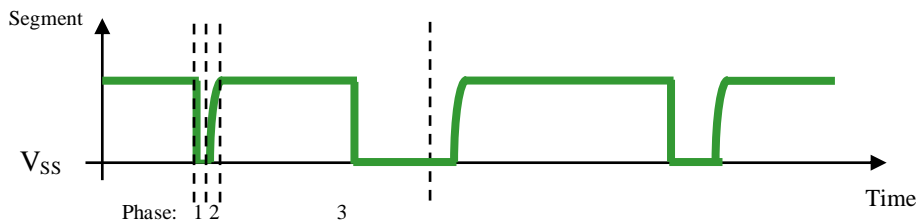
6.6 Segment Drivers / Common Drivers

Segment drivers deliver 128 current sources to drive the OLED panel. The driving current can be adjusted by altering the registers of the contrast setting command (81h). Common drivers generate voltage-scanning pulses.

The segment driving waveform is divided into three phases:

1. In phase 1, the OLED pixel charges of previous image are discharged in order to prepare for next image content display.
2. In phase 2, the OLED pixel is driven to the targeted voltage. The pixel is driven to attain the corresponding voltage level from VSS. The period of phase 2 can be programmed in length from 1 to 16 DCLKs. If the capacitance value of the pixel of OLED panel is larger, a longer period is required to charge up the capacitor to reach the desired voltage.
3. In phase 3, the OLED driver switches to use current source to drive the OLED pixels and this is the current drive stage.

Figure 6-12: Segment Output Waveform in three phases



After finishing phase 3, the driver IC will go back to phase 1 to display the next row image data. This three-step cycle is run continuously to refresh image display on OLED panel.

In phase 3, if the length of current drive pulse width is set to 99, after finishing 99 DCLKs in current drive phase, the driver IC will go back to phase 1 for next row display.

6.7 Graphic Display Data RAM (GDDRAM)

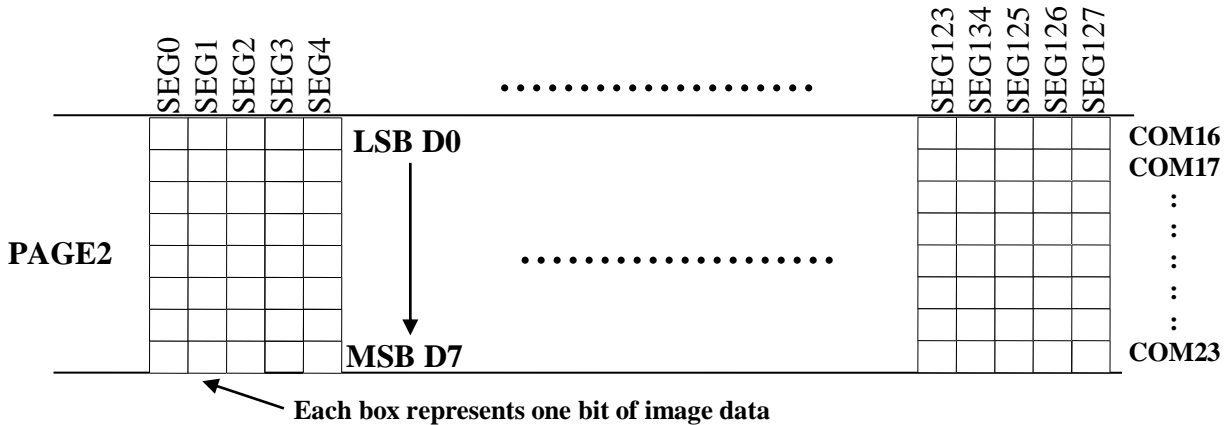
The GDDRAM is a bit mapped static RAM holding the bit pattern to be displayed. The size of the RAM is 128 x 64 bits and the RAM is divided into eight pages, from PAGE0 to PAGE7, which are used for monochrome 128x64 dot matrix display, as shown in **Figure 6-13**.

Figure 6-13: GDDRAM pages structure

		Row re-mapping
PAGE0 (COM0-COM7)	Page 0	PAGE0 (COM 63-COM56)
PAGE1 (COM8-COM15)	Page 1	PAGE1 (COM 55-COM48)
PAGE2 (COM16-COM23)	Page 2	PAGE2 (COM47-COM40)
PAGE3 (COM24-COM31)	Page 3	PAGE3 (COM39-COM32)
PAGE4 (COM32-COM39)	Page 4	PAGE4 (COM31-COM24)
PAGE5 (COM40-COM47)	Page 5	PAGE5 (COM23-COM16)
PAGE6 (COM48-COM55)	Page 6	PAGE6 (COM15-COM8)
PAGE7 (COM56-COM63)	Page 7	PAGE7 (COM 7-COM0)
	SEG0 -----SEG127	
Column re-mapping	SEG127 -----SEG0	

When one data byte is written into GDDRAM, all the rows image data of the same page of the current column are filled (i.e. the whole column (8 bits) pointed by the column address pointer is filled.). Data bit D0 is written into the top row, while data bit D7 is written into bottom row as shown in **Figure 6-14**.

Figure 6-14: Enlargement of GDDRAM (No row re-mapping and column-remapping)



For mechanical flexibility, re-mapping on both Segment and Common outputs can be selected by software as shown in **Figure 6-13**.

For vertical shifting of the display, an internal register storing the display start line can be set to control the portion of the RAM data to be mapped to the display (command D3h).

6.8 SEG/COM Driving Block

This block is used to derive the incoming power sources into the different levels of internal use voltage and current.

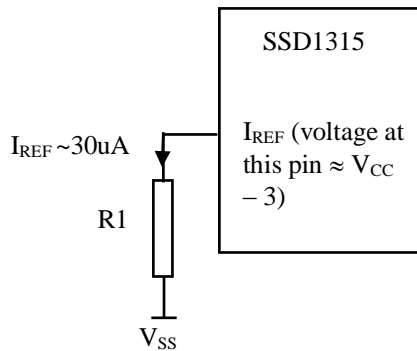
- V_{CC} is the most positive voltage supply.
- V_{COMH} is the Common deselected level. It is internally regulated.
- V_{LSS} is the ground path of the analog and panel current.
- I_{REF} is a reference current source for segment current drivers I_{SEG} . The relationship between reference current and segment current of a color is:

$$I_{SEG} = (\text{Contrast} / 32) \times I_{REF}$$

in which the contrast (1~255) is set by Set Contrast command 81h

When external I_{REF} is used, the magnitude of I_{REF} is controlled by the value of resistor, which is connected between I_{REF} pin and V_{SS} as shown in **Figure 6-15**. It is recommended to set I_{REF} to $30 \pm 2 \mu A$ so as to achieve $I_{SEG} = 240 \mu A$ at maximum contrast 255.

Figure 6-15: I_{REF} Current Setting by Resistor Value



Since the voltage at I_{REF} pin is $V_{CC} - 3V$, the value of resistor $R1$ can be found as below:

For $I_{REF} = 30 \mu A$, $V_{CC} = 12V$:

$$\begin{aligned} R1 &= (\text{Voltage at } I_{REF} - V_{SS}) / I_{REF} \\ &\approx (12 - 3) / 30 \mu A \\ &= 300K\Omega \end{aligned}$$

When internal I_{REF} is used, the I_{REF} pin should be kept NC and the I_{SEG} can be set as either $150 \mu A$ or $240 \mu A$ (max) by software command ADh setting. The selection of external or internal I_{REF} is also controlled by command ADh. For details, please refer to SSD1315 Command Table.

6.9 Power ON and OFF Sequence

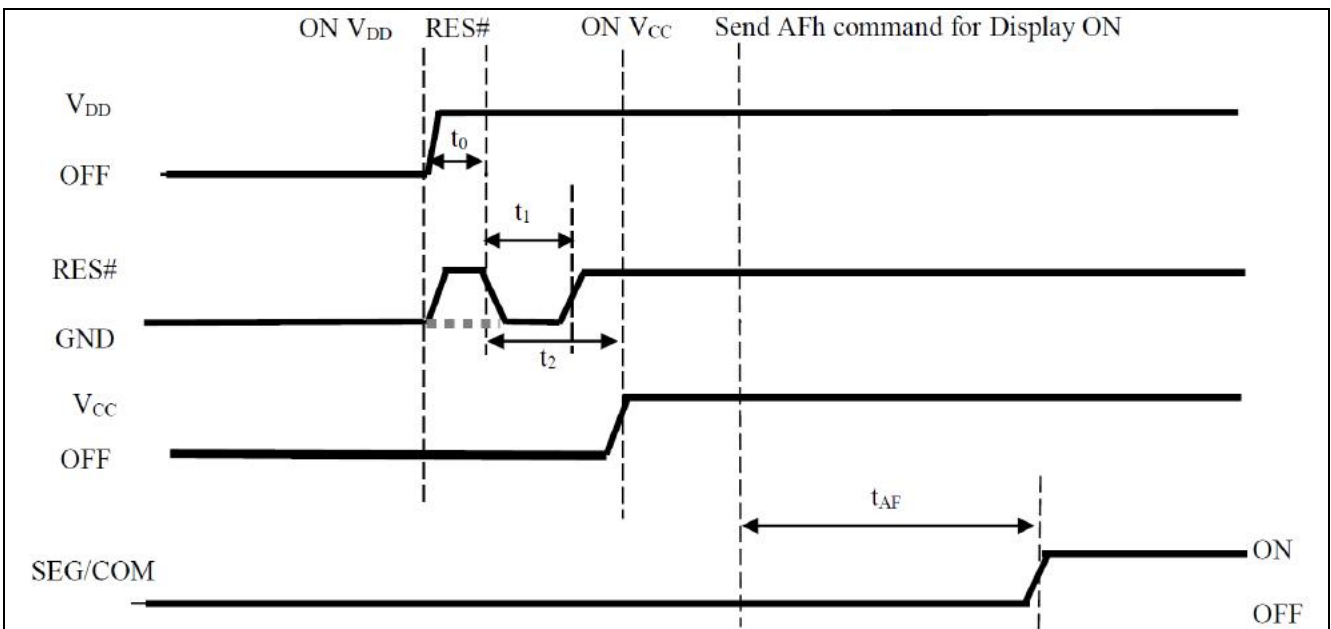
The following figures illustrate the recommended power ON and power OFF sequence of SSD1315.

6.9.1 Power ON and OFF sequence with External V_{CC}

Power ON sequence:

1. Power ON V_{DD}
2. After V_{DD} become stable, wait at least 20ms (t_0), set RES# pin LOW (logic low) for at least 3 μ s (t_1)⁽⁴⁾ and then HIGH (logic high).
3. After set RES# pin LOW (logic low), wait for at least 3 μ s (t_2). Then Power ON V_{CC}.⁽¹⁾
4. After V_{CC} become stable, send command AFh for display ON. SEG/COM will be ON after 100ms (t_{AF}).

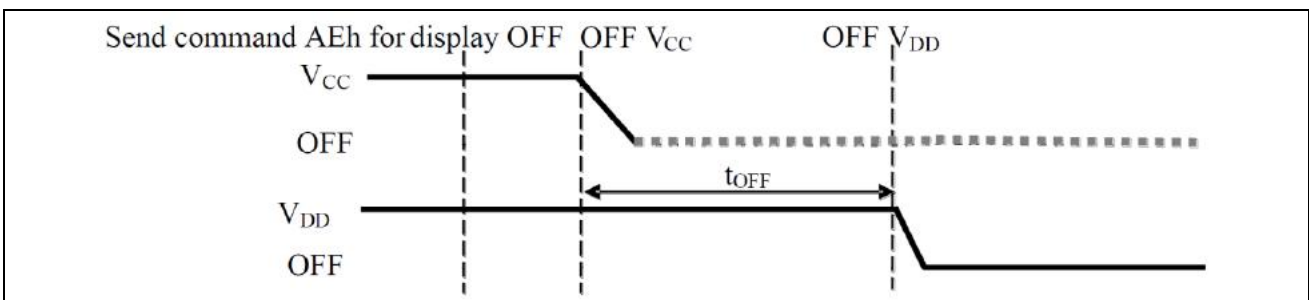
Figure 6-16: The Power ON Sequence



Power OFF sequence:

1. Send command AEh for display OFF.
2. Power OFF V_{CC}.^{(1), (2)}
3. Power OFF V_{DD} after t_{OFF} .⁽⁴⁾ (where Minimum t_{OFF} =0ms, typical t_{OFF} =100ms)

Figure 6-17: The Power OFF Sequence



Note:

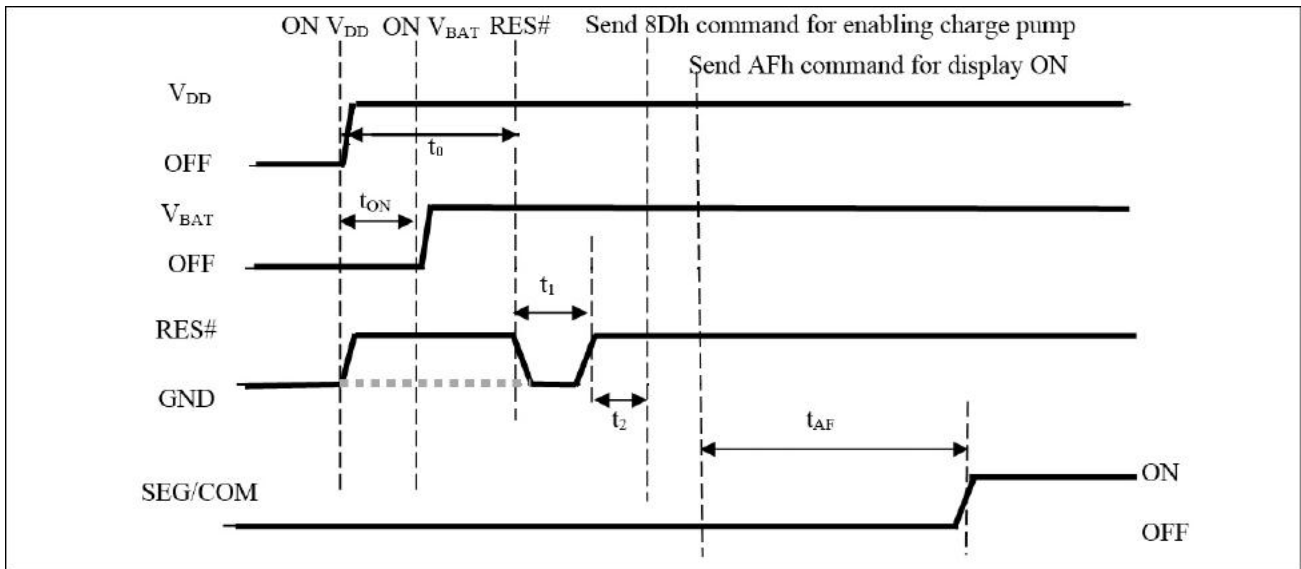
- ⁽¹⁾ V_{CC} should be kept float (i.e. disable) when it is OFF.
- ⁽²⁾ Power Pins (V_{DD}, V_{CC}) can never be pulled to ground under any circumstance.
- ⁽³⁾ The register values are reset after t_1 .
- ⁽⁴⁾ V_{DD} should not be Power OFF before V_{CC} Power OFF.

6.9.2 Power ON and OFF sequence with Charge Pump Application

Power ON sequence:

1. Power ON V_{DD}
2. Wait for t_{ON} . Power ON V_{BAT} . (where Minimum $t_{ON} = 0ms$)
3. After V_{DD} become stable, wait at least 20ms (t_0), set RES# pin LOW (logic low) for at least 3 μs (t_1)⁽³⁾ and then HIGH (logic high).
4. After set RES# pin LOW (logic low), wait for at least 3 μs (t_2). Then input commands with below sequence:
 - a. 8Dh for enabling internal charge pump
 - b. AFh for display ON
5. SEG/COM will be ON after 100ms (t_{AF}).

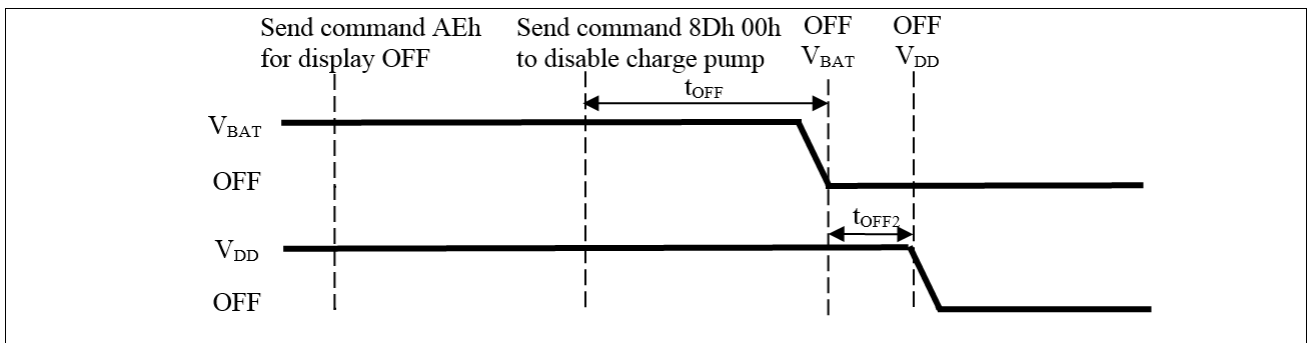
Figure 6-18: The Power ON sequence with Charge Pump Application



Power OFF sequence:

1. Send command AEh for display OFF
2. Send command 8Dh 00h to disable charge pump
3. Power OFF V_{BAT} after t_{OFF} .^{(1), (2)} (Typical $t_{OFF}=100ms$)
4. Power OFF V_{DD} after t_{OFF2} . (where Minimum $t_{OFF2} = 0ms$)⁽⁴⁾, Typical $t_{OFF2}=5ms$)

Figure 6-19: The Power OFF sequence with Charge Pump Application



Note:

- (1) V_{BAT} should be kept float (i.e. disable) when it is OFF.
- (2) Power Pins (V_{BAT}) can never be pulled to ground under any circumstance.
- (3) The register values are reset after t_1 .
- (4) V_{DD} should not be Power OFF before V_{BAT} Power OFF.

6.10 Charge Pump Regulator

The internal regulator circuit in SSD1315 accompanying only 2 external capacitors can generate a maximum of 9.0V voltage supply, V_{CC} and a maximum output loading of 12mA from a low voltage supply input, V_{BAT} . In SSD1315, there are 3 charge pump output V_{CC} setting, 7.5V, 8.5V and 9V, which can be selected by software command 8Dh setting. The V_{CC} is the voltage supply to the OLED driver block. This regulator can be turned ON/OFF by software command 8Dh setting. For details, please refer to SSD1315 Command Table.

7 MAXIMUM RATINGS

Table 7-1: Maximum Ratings

(Voltage Reference to V_{SS})

Symbol	Parameter	Value	Unit
V_{DD}	Supply Voltage	-0.3 to +4	V
V_{BAT}		-0.3 to +6	V
V_{CC}		0 to 18	V
V_{SEG}	SEG output voltage	0 to V_{CC}	V
V_{COM}	COM output voltage	0 to $0.9 \cdot V_{CC}$	V
V_{in}	Input voltage	$V_{SS}-0.3$ to $V_{DD}+0.3$	V
T_A	Operating Temperature	-40 to +85	°C
T_{stg}	Storage Temperature Range	-65 to +150	°C

*Maximum Ratings are those values beyond which damage to the device may occur. Functional operation should be restricted to the limits in the Electrical Characteristics tables or Pin Description.

*This device may be light sensitive. Caution should be taken to avoid exposure of this device to any light source during normal operation. This device is not radiation protected.

8 DC CHARACTERISTICS

Condition (Unless otherwise specified):

Voltage referenced to V_{SS}

V_{DD} = 1.65V to 3.5V

T_A = 25°C

Table 8-1: DC Characteristics

Symbol	Parameter	Test Condition	Min	Typ	Max	Unit
V _{CC}	Operating Voltage	-	7.5	-	16.5	V
V _{DD}	Logic Supply Voltage	-	1.65	-	3.5	V
V _{BAT}	Charge Pump Regulator Supply Voltage	-	3.0	-	4.5	V
Charge Pump V _{CC}	Charge Pump Output Voltage	7.5V mode	7	7.5	-	V
		8.5V mode	8	8.5	-	
		9V mode	8.5	9	-	
V _{OH}	High Logic Output Level	I _{OUT} = 100uA, 3.3MHz	0.9 x V _{DD}	-	-	V
V _{OL}	Low Logic Output Level	I _{OUT} = 100uA, 3.3MHz	-	-	0.1 x V _{DD}	V
V _{IH}	High Logic Input Level	-	0.8 x V _{DD}	-	-	V
V _{IL}	Low Logic Input Level	-	-	-	0.2 x V _{DD}	V
I _{CC, SLEEP}	I _{CC} , Sleep mode Current	V _{DD} = 1.65V~3.5V, V _{CC} = 7.5V~16.5V Display OFF, No panel attached	-	-	10	uA
I _{DD, SLEEP}	I _{DD} , Sleep mode Current	V _{DD} = 1.65V~3.5V, V _{CC} = 7.5V~16.5V Display OFF, No panel attached	-	-	10	uA
I _{BAT, SLEEP}	I _{BAT} , Sleep mode Current	V _{DD} = 1.65V~3.5V, V _{BAT} = 3V~4.5V Display OFF, No panel attached	-	-	10	uA
I _{CC}	V _{CC} Supply Current V _{DD} = 2.8V, V _{CC} = 12V, I _{REF} = 30uA No loading, Display ON, All ON	Contrast = FFh	-	625	1000	uA
I _{DD}	V _{DD} Supply Current V _{DD} = 2.8V, V _{CC} = 12V, I _{REF} = 30uA No loading, Display ON, All ON		-	240	330	uA
I _{SEG}	Segment Output Current V _{DD} =2.8V, V _{CC} =12V, I _{REF} =30uA, Display ON.	Contrast=FFh	-	240	-	uA
		Contrast=AFh	-	165	-	
		Contrast=3Fh	-	60	-	
I _{SEG}	Segment Output Current V _{DD} =2.8V, V _{CC} =12V, I _{REF} =19uA, Display ON.	Contrast=FFh	-	150	-	uA
		Contrast=AFh	-	104	-	
		Contrast=3Fh	-	38	-	
Dev	Segment output current uniformity	Dev = (I _{SEG} - I _{MID})/I _{MID} I _{MID} = (I _{MAX} + I _{MIN})/2 I _{SEG} [0:127] = Segment current at contrast = FFh	-3	-	+3	%
Adj. Dev	Adjacent pin output current uniformity (contrast = FF)	Adj Dev = (I[n]-I[n+1]) / (I[n]+I[n+1])	-2	-	+2	%

9 AC CHARACTERISTICS

Conditions:

Voltage referenced to V_{SS}

$V_{DD}=1.65$ to $3.5V$

$T_A = 25^{\circ}C$

Table 9-1: AC Characteristics

Symbol	Parameter	Test Condition	Min	Typ	Max	Unit
$F_{OSC}^{(1)}$	Oscillation Frequency of Display Timing Generator	$V_{DD} = 2.8V$	620	688	756	kHz
F_{FRM}	Frame Frequency	128x64 Graphic Display Mode, Display ON, Internal Oscillator Enabled	-	$F_{osc} \times 1/(D \times K \times 64)^{(2)}$	-	Hz
RES#	Reset low pulse width		3	-	-	us

Note

⁽¹⁾ F_{OSC} stands for the frequency value of the internal oscillator and the value is measured when command D5h A[7:4] is in default value.

⁽²⁾ D: divide ratio (default value = 1)

K: number of display clocks per row period (default value = 103)

Table 9-2: 6800-Series MCU Parallel Interface Timing Characteristics

($V_{DD} - V_{SS} = 1.65V$ to $3.5V$, $T_A = 25^\circ C$)

Symbol	Parameter	Min	Typ	Max	Unit
t_{cycle}	Clock Cycle Time	300	-	-	ns
t_{AS}	Address Setup Time	5	-	-	ns
t_{AH}	Address Hold Time	0	-	-	ns
t_{DSW}	Write Data Setup Time	40	-	-	ns
t_{DHW}	Write Data Hold Time	20	-	-	ns
t_{DHR}	Read Data Hold Time	20	-	-	ns
t_{OH}	Output Disable Time	-	-	70	ns
t_{ACC}	Access Time	-	-	180	ns
PW_{CSL}	Chip Select Low Pulse Width (read) Chip Select Low Pulse Width (write)	180 60	-	-	ns
PW_{CSH}	Chip Select High Pulse Width (read) Chip Select High Pulse Width (write)	60 60	-	-	ns
t_R	Rise Time	-	-	40	ns
t_F	Fall Time	-	-	40	ns

Figure 9-1: 6800-series MCU parallel interface characteristics

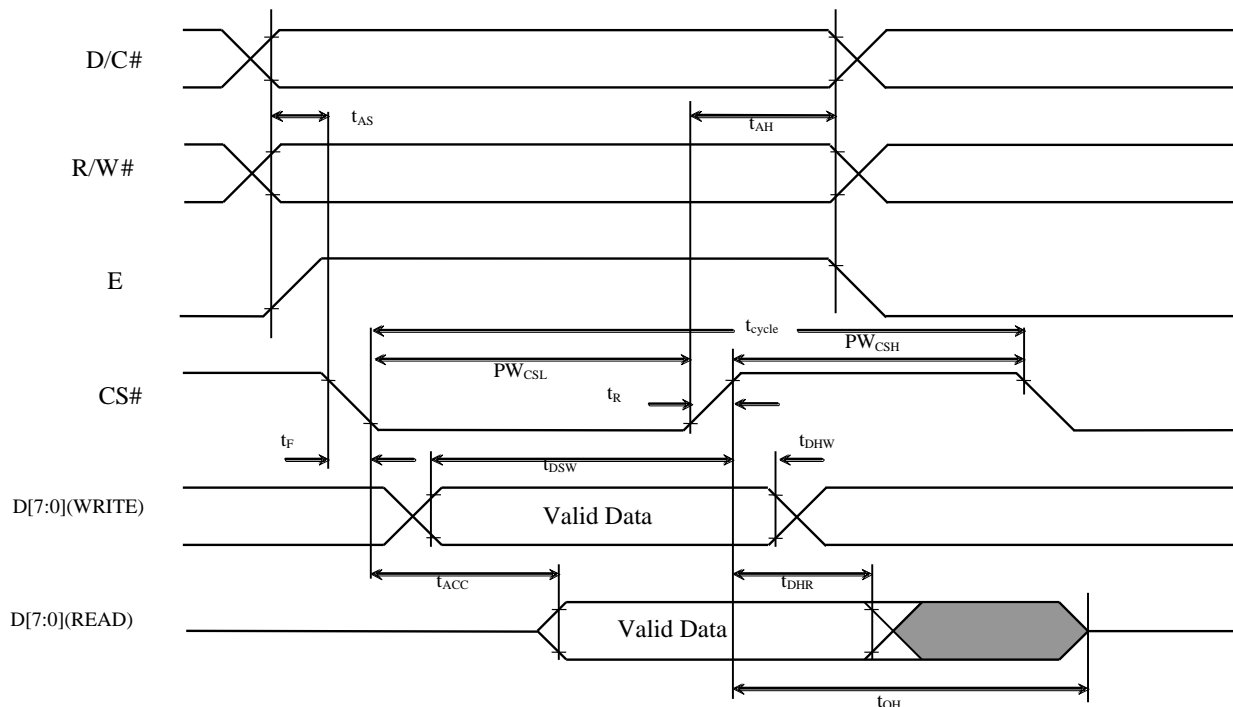
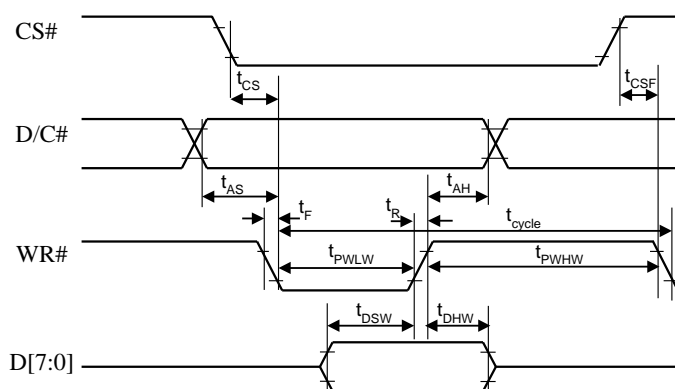


Table 9-3: 8080-Series MCU Parallel Interface Timing Characteristics

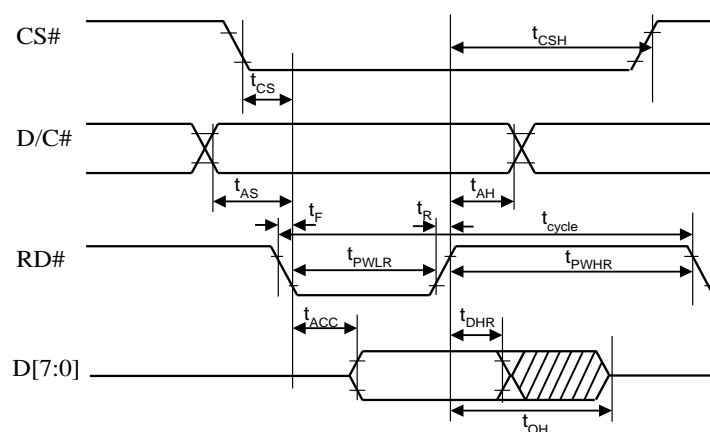
($V_{DD} - V_{SS} = 1.65V \sim 3.5V$, $T_A = 25^\circ C$)

Symbol	Parameter	Min	Typ	Max	Unit
t_{cycle}	Clock Cycle Time	300	-	-	ns
t_{AS}	Address Setup Time	10	-	-	ns
t_{AH}	Address Hold Time	0	-	-	ns
t_{DSW}	Write Data Setup Time	40	-	-	ns
t_{DHW}	Write Data Hold Time	20	-	-	ns
t_{DHR}	Read Data Hold Time	20	-	-	ns
t_{OH}	Output Disable Time	-	-	70	ns
t_{ACC}	Access Time	-	-	180	ns
t_{PWLR}	Read Low Time	180	-	-	ns
t_{PWLW}	Write Low Time	60	-	-	ns
t_{PWHR}	Read High Time	60	-	-	ns
t_{PWHW}	Write High Time	60	-	-	ns
t_R	Rise Time	-	-	40	ns
t_F	Fall Time	-	-	40	ns
t_{CS}	Chip select setup time	0	-	-	ns
t_{CSH}	Chip select hold time to read signal	0	-	-	ns
t_{CSF}	Chip select hold time	20	-	-	ns

Figure 9-2: 8080-series parallel interface characteristics



Write Cycle



Read Cycle

Table 9-4: Serial Interface Timing Characteristics (4-wire SPI)

($V_{DD} - V_{SS} = 1.65V \sim 3.5V$, $T_A = 25^\circ C$)

Symbol	Parameter	Min	Typ	Max	Unit
t_{cycle}	Clock Cycle Time	100	-	-	ns
t_{AS}	Address Setup Time	15	-	-	ns
t_{AH}	Address Hold Time	15	-	-	ns
t_{CSS}	Chip Select Setup Time	20	-	-	ns
t_{CSH}	Chip Select Hold Time	20	-	-	ns
t_{DSW}	Write Data Setup Time	15	-	-	ns
t_{DHW}	Write Data Hold Time	25	-	-	ns
t_{CLKL}	Clock Low Time	30	-	-	ns
t_{CLKH}	Clock High Time	30	-	-	ns
t_R	Rise Time	-	-	40	ns
t_F	Fall Time	-	-	40	ns

Figure 9-3: Serial interface characteristics (4-wire SPI)

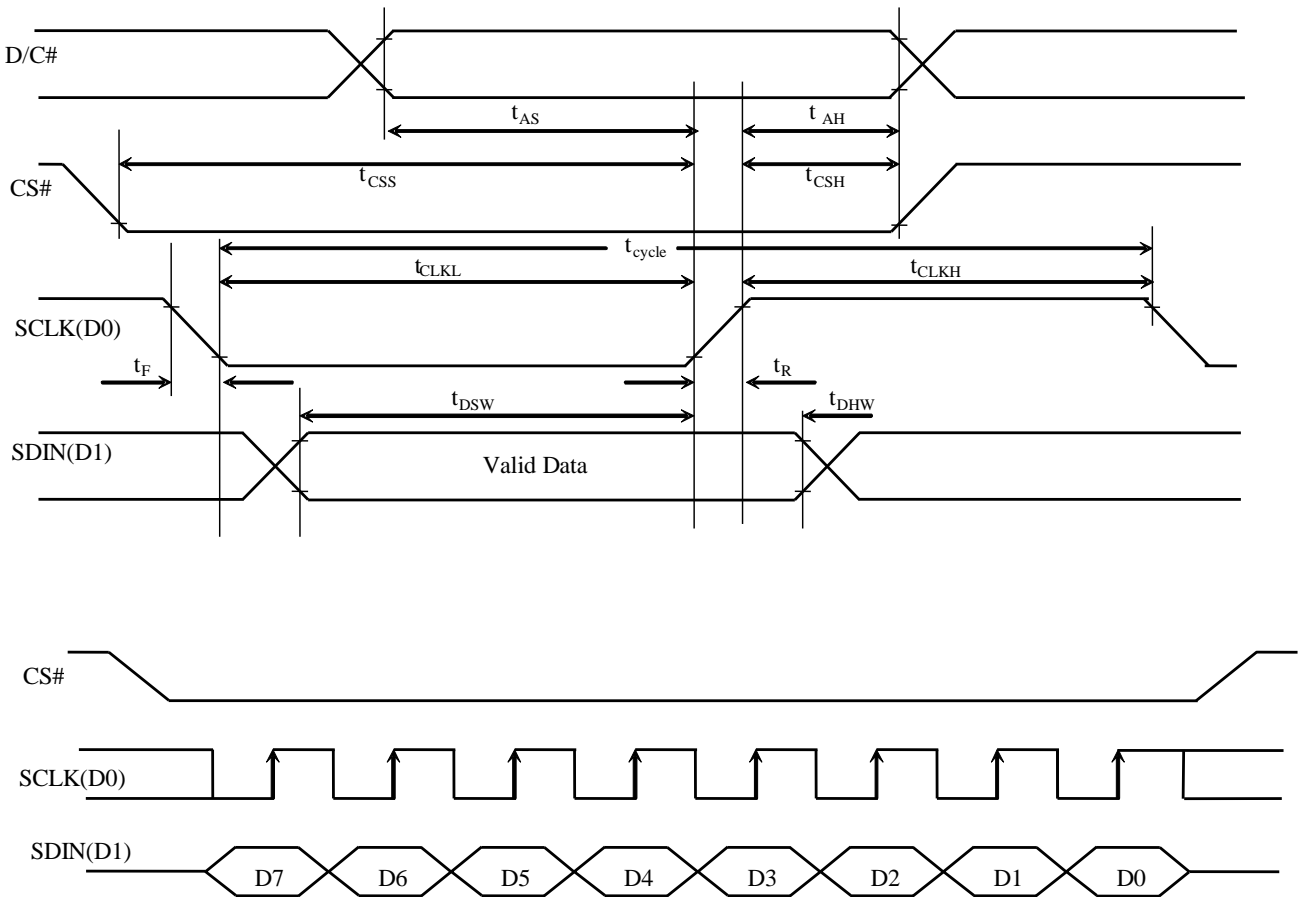


Table 9-5: Serial Interface Timing Characteristics (3-wire SPI)

($V_{DD} - V_{SS} = 1.65V \sim 3.5V$, $T_A = 25^\circ C$)

Symbol	Parameter	Min	Typ	Max	Unit
t_{cycle}	Clock Cycle Time	100	-	-	ns
t_{CSS}	Chip Select Setup Time	20	-	-	ns
t_{CSH}	Chip Select Hold Time	20	-	-	ns
t_{DSW}	Write Data Setup Time	15	-	-	ns
t_{DHW}	Write Data Hold Time	25	-	-	ns
t_{CLKL}	Clock Low Time	30	-	-	ns
t_{CLKH}	Clock High Time	30	-	-	ns
t_R	Rise Time	-	-	40	ns
t_F	Fall Time	-	-	40	ns

Figure 9-4: Serial interface characteristics (3-wire SPI)

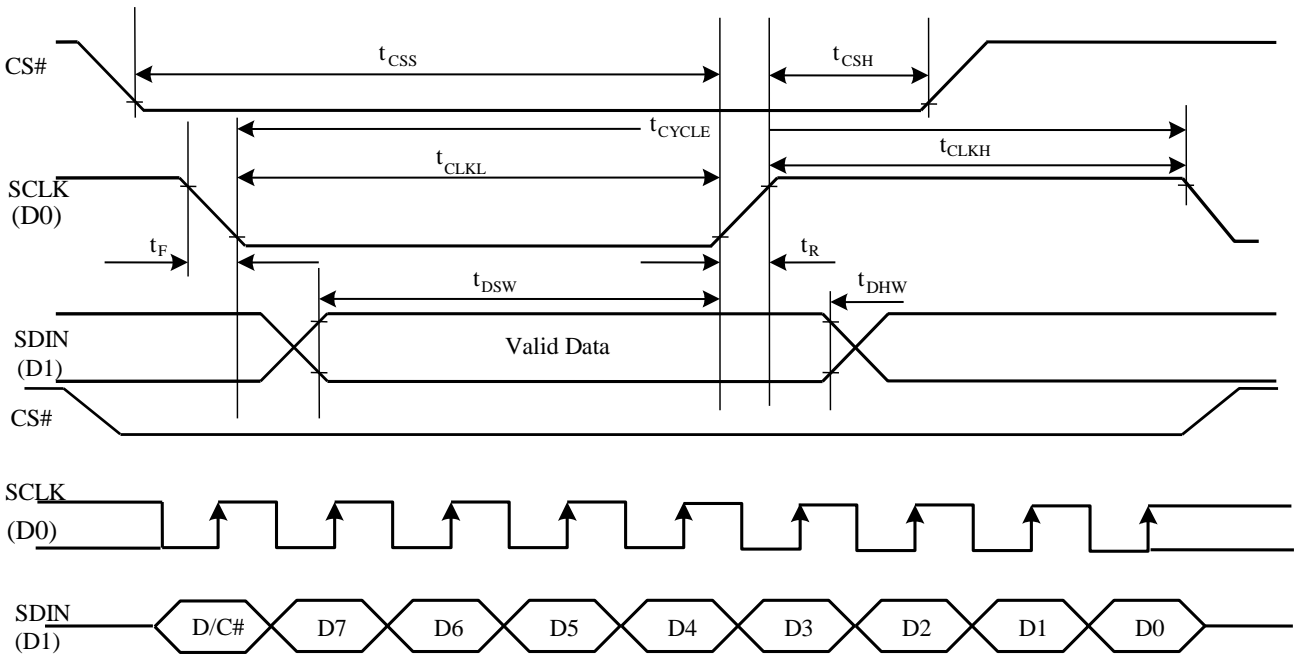
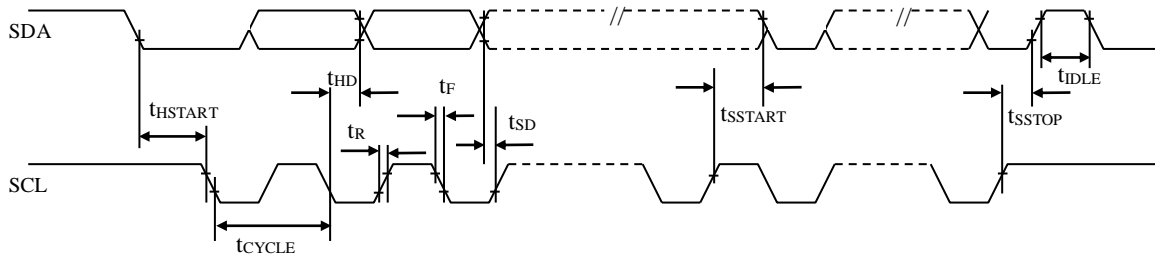


Table 9-6: I2C Interface Timing Characteristics

Symbol	Parameter	Min	Typ	Max	Unit
t_{cycle}	Clock Cycle Time	2.5	-	-	us
t_{HSTART}	Start condition Hold Time	0.6	-	-	us
t_{HD}	Data Hold Time (for “SDA _{OUT} ” pin)	0	-	-	ns
	Data Hold Time (for “SDA _{IN} ” pin)	300	-	-	ns
t_{SD}	Data Setup Time	100	-	-	ns
t_{SSTART}	Start condition Setup Time (Only relevant for a repeated Start condition)	0.6	-	-	us
t_{SSTOP}	Stop condition Setup Time	0.6	-	-	us
t_{R}	Rise Time for data and clock pin	-	-	300	ns
t_{F}	Fall Time for data and clock pin	-	-	300	ns
t_{IDLE}	Idle Time before a new transmission can start	1.3	-	-	us

Figure 9-5 I2C interface Timing characteristics



10 APPLICATION EXAMPLE

Figure 10-1: Application Example of SSD1315 with External V_{CC} and I²C interface

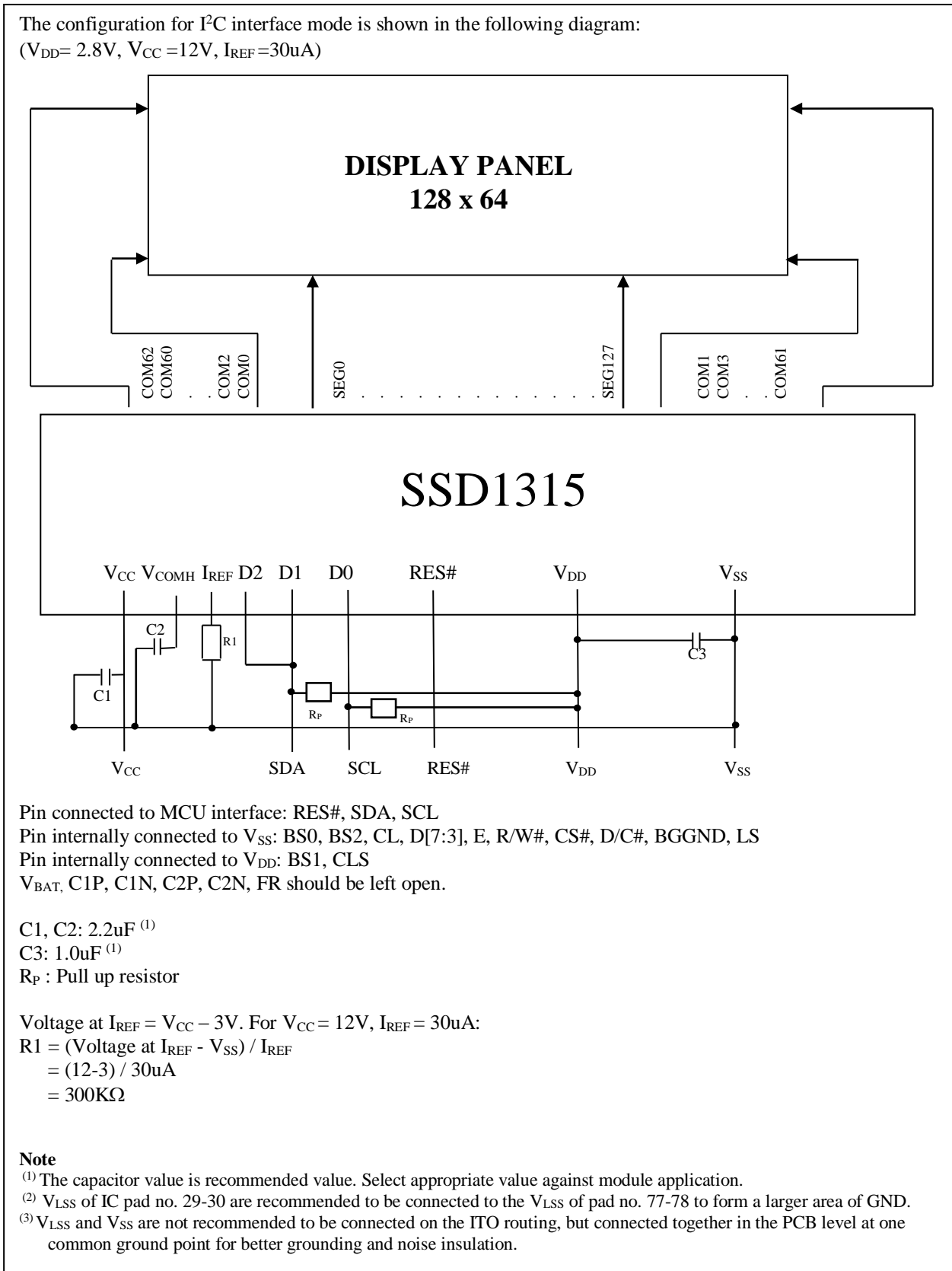
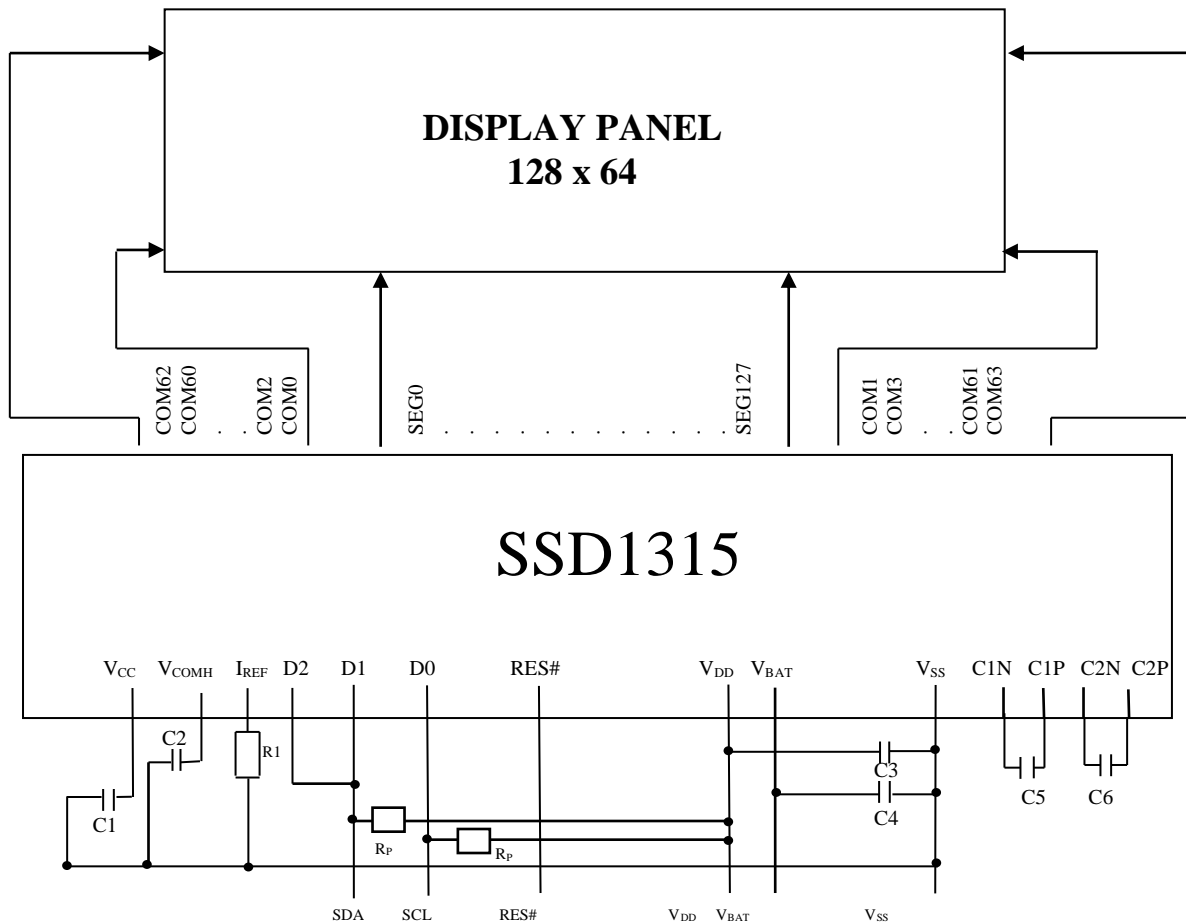


Figure 10-2: Application Example of SSD1315 with Internal Charge Pump and I²C interface

The configuration for I²C interface mode is shown in the following diagram:
 (V_{DD}= 1.65V ~ 3.5V, V_{BAT}=3.0V~4.5V, I_{REF}=19uA)



Pin connected to MCU interface: RES#, SDA, SCL

Pin internally connected to V_{SS}: BS0, BS2, CL, D[7:3], E, R/W#, CS#, D/C#, BGGND, LS

Pin internally connected to V_{DD}: BS1, CLS

FR should be left open.

C1, C2: 2.2uF ⁽¹⁾

C3, C4 : 1.0uF ⁽¹⁾

C5, C6: 1.0uF/10V ⁽¹⁾

R_p : Pull up resistor

Voltage at I_{REF} = V_{CC} - 3V. For V_{CC} = 7.5V, I_{REF} = 19uA:

$$R1 = (\text{Voltage at } I_{REF} - V_{SS}) / I_{REF}$$

$$= (7.5-3) / 19\mu A$$

$$\approx 240K\Omega$$

Note

⁽¹⁾ The capacitor value is recommended value. Select appropriate value against module application.

⁽²⁾ V_{LSS} of IC pad no. 29-30 are recommended to be connected to the V_{LSS} of pad no. 77-78 to form a larger area of GND.

⁽³⁾ V_{LSS} and V_{SS} are not recommended to be connected on the ITO routing, but connected together in the PCB level at one common ground point for better grounding and noise insulation.

Solomon Systech reserves the right to make changes without notice to any products herein. Solomon Systech makes no warranty, representation or guarantee regarding the suitability of its products for any particular purpose, nor does Solomon Systech assume any liability arising out of the application or use of any product or circuit, and specifically disclaims any, and all, liability, including without limitation consequential or incidental damages. “Typical” parameters can and do vary in different applications. All operating parameters, including “Typical” must be validated for each customer application by the customer’s technical experts. Solomon Systech does not convey any license under its patent rights nor the rights of others. Solomon Systech products are not designed, intended, or authorized for use as components in systems intended for surgical implant into the body, or other applications intended to support or sustain life, or for any other application in which the failure of the Solomon Systech product could create a situation where personal injury or death may occur. Should Buyer purchase or use Solomon Systech products for any such unintended or unauthorized application, Buyer shall indemnify and hold Solomon Systech and its offices, employees, subsidiaries, affiliates, and distributors harmless against all claims, costs, damages, and expenses, and reasonable attorney fees arising out of, directly or indirectly, any claim of personal injury or death associated with such unintended or unauthorized use, even if such claim alleges that Solomon Systech was negligent regarding the design or manufacture of the part.



The product(s) listed in this datasheet comply with Directive 2011/65/EU of the European Parliament and of the council of 8 June 2011 on the restriction of the use of certain hazardous substances in electrical and electronic equipment and People’s Republic of China Electronic Industry Standard GB/T 26572-2011 “Requirements for concentration limits for certain hazardous substances in electronic information products (电子电器产品中限用物質的限用要求)”. Hazardous Substances test report is available upon request.

<http://www.solomon-systech.com>

Appendix IV: Command Table and Command Descriptions

1 COMMAND TABLE

Table 1-1: SSD1315 Command Table

(D/C#=0, R/W#(WR#) = 0, E(RD#=1) unless specific setting is stated)

Fundamental Command Table											
D/C#	Hex	D7	D6	D5	D4	D3	D2	D1	D0	Command	Description
0	00~0F	0	0	0	0	X ₃	X ₂	X ₁	X ₀	Set Lower Column Start Address for Page Addressing Mode	Set the lower nibble of the column start address register for Page Addressing Mode using X[3:0] as data bits. The initial display line register is reset to 0000b after RESET. Note (¹) This command is only for page addressing mode
0	10~17	0	0	0	1	0	X ₂	X ₁	X ₀	Set Higher Column Start Address for Page Addressing Mode	Set the higher nibble of the column start address register for Page Addressing Mode using X[2:0] as data bits. The initial display line register is reset to 0000b after RESET. Note (¹) This command is only for page addressing mode
0 0	20 A[1:0]	0 0	0 0	1 0	0 0	0 0	0 0	0 A ₁	0 A ₀	Set Memory Addressing Mode	A[1:0] = 00b, Horizontal Addressing Mode A[1:0] = 01b, Vertical Addressing Mode A[1:0] = 10b, Page Addressing Mode (RESET) A[1:0] = 11b, Invalid
0 0 0	21 A[6:0] B[6:0]	0 * *	0 A ₆ B ₆	1 A ₅ B ₅	0 A ₄ B ₄	0 A ₃ B ₃	0 A ₂ B ₂	0 A ₁ B ₁	1 A ₀ B ₀	Set Column Address	Setup column start and end address A[6:0] : Column start address, range : 0-127d, (RESET=0d) B[6:0] : Column end address, range : 0-127d, (RESET =127d) Note (¹) This command is only for horizontal or vertical addressing mode.
0 0 0	22 A[2:0] B[2:0]	0 0 0	0 0 0	1 0 0	0 0 0	0 0 0	0 A ₂ B ₂	1 A ₁ B ₁	0 A ₀ B ₀	Set Page Address	Setup page start and end address A[2:0] : Page start Address, range : 0-7d, (RESET = 0d) B[2:0] : Page end Address, range : 0-7d, (RESET = 7d) Note (¹) This command is only for horizontal or vertical addressing mode.
0	40~7F	0	1	X ₅	X ₄	X ₃	X ₂	X ₁	X ₀	Set Display Start Line	Set display RAM display start line register from 0-63 using X ₅ X ₄ X ₃ X ₂ X ₁ X ₀ . Display start line register is reset to 000000b during RESET.

Fundamental Command Table											
D/C#	Hex	D7	D6	D5	D4	D3	D2	D1	D0	Command	Description
0 0	81 A[7:0]	1 A ₇	0 A ₆	0 A ₅	0 A ₄	0 A ₃	0 A ₂	0 A ₁	1 A ₀	Set Contrast Control	Double byte command to select one of the contrast steps. Contrast increases as the value increases. (RESET = 7Fh) A[7:0] valid range: 01h to FFh
0	A0/A1	1	0	1	0	0	0	0	X ₀	Set Segment Re-map	A0h, X[0]=0b: column address 0 is mapped to SEG0 (RESET) A1h, X[0]=1b: column address 127 is mapped to SEG0
0	A4/A5	1	0	1	0	0	1	0	X ₀	Entire Display ON	A4h, X ₀ =0b: Resume to RAM content display (RESET) Output follows RAM content A5h, X ₀ =1b: Entire display ON Output ignores RAM content
0	A6/A7	1	0	1	0	0	1	1	X ₀	Set Normal/Inverse Display	A6h, X[0]=0b: Normal display (RESET) 0 in RAM: OFF in display panel 1 in RAM: ON in display panel A7h, X[0]=1b: Inverse display 0 in RAM: ON in display panel 1 in RAM: OFF in display panel
0 0	A8 A[7:0]	1 *	0 *	1 A ₅	0 A ₄	1 A ₃	0 A ₂	0 A ₁	0 A ₀	Set Multiplex Ratio	Set MUX ratio to N+1 MUX N=A[5:0] : from 16MUX to 64MUX. RESET = 11111b (i.e. 63d, 64MUX) A[5:0] from 0 to 14 are invalid entry
0 0	AD A[5:4]	1 0	0 0	1 A ₅	0 A ₄	1 0	1 0	0 0	1 0	Internal I _{REF} Setting	Select external or internal I _{REF} : A[4] = '0': Select external I _{REF} (RESET) A[4] = '1': Enable internal I _{REF} during display ON Internal I _{REF} value setting: A[5] = '0': Internal IREF setting: 19uA, output a maximum I _{SEG} =150uA (RESET) A[5] = '1': Internal IREF setting: 30uA, output a maximum I _{SEG} =240uA
0	AE/AF	1	0	1	0	1	1	1	X ₀	Set Display ON/OFF	AEh, X[0]=0b: Display OFF (sleep mode) (RESET) AFh X[0]=1b: Display ON in normal mode
0	B0~B7	1	0	1	1	0	X ₂	X ₁	X ₀	Set Page Start Address for Page Addressing Mode	Set GDDRAM Page Start Address PAGE0~PAGE7 for Page Addressing Mode using X[2:0]. Note (1) This command is only for page addressing mode

Fundamental Command Table																										
D/C#	Hex	D7	D6	D5	D4	D3	D2	D1	D0	Command	Description															
0	C0/C8	1	1	0	0	X ₃	0	0	0	Set COM Output Scan Direction	C0h, X[3]=0b: normal mode (RESET) Scan from COM0 to COM[N-1] C8h, X[3]=1b: remapped mode. Scan from COM[N-1] to COM0 Where N is the Multiplex ratio.															
0	D3	1	1	0	1	0	0	1	1	Set Display Offset	Set vertical shift by COM from 0d~63d. The value is reset to 00h after RESET.															
0	D5	1	1	0	1	0	1	0	1	Set Display Clock Divide Ratio/Oscillator Frequency	A[3:0] : Define the divide ratio (D) of the display clocks (DCLK): Divide ratio= A[3:0] + 1, RESET is 0000b (divide ratio = 1) A[7:4] : Set the Oscillator Frequency, F _{osc} . Oscillator Frequency increases with the value of A[7:4] and vice versa. RESET is 1000b. Range: 0000b~1111b. Frequency increases as setting value increases.															
0	D9	1	1	0	1	1	0	0	1	Set Pre-charge Period	A[3:0] : Phase 1 period of up to 30 DCLK (i.e. 2, 4, 6, ...30) Clocks 0 is invalid entry (RESET=2h) A[7:4] : Phase 2 period of up to 30 DCLK (i.e. 2, 4, 6, ...30) Clocks 0 is invalid entry (RESET=2h)															
0	DA	1	1	0	1	1	0	1	0	Set COM Pins Hardware Configuration	A[4]=0b, Sequential COM pin configuration A[4]=1b (RESET), Alternative COM pin Configuration A[5]=0b (RESET), Disable COM Left/Right remap A[5]=1b, Enable COM Left/Right remap															
0	DB	1	1	0	1	1	0	1	1	Set V _{COMH} select Level	Set COM select voltage level. <table border="1" data-bbox="949 1594 1465 1787"> <thead> <tr> <th>A[5:4]</th> <th>Hex code</th> <th>V_{COMH} deselect level</th> </tr> </thead> <tbody> <tr> <td>00b</td> <td>00h</td> <td>~ 0.65 x V_{CC}</td> </tr> <tr> <td>01b</td> <td>10h</td> <td>~ 0.71 x V_{CC}</td> </tr> <tr> <td>10b</td> <td>20h</td> <td>~ 0.77 x V_{CC} (RESET)</td> </tr> <tr> <td>11b</td> <td>30h</td> <td>~ 0.83 x V_{CC}</td> </tr> </tbody> </table>	A[5:4]	Hex code	V _{COMH} deselect level	00b	00h	~ 0.65 x V _{CC}	01b	10h	~ 0.71 x V _{CC}	10b	20h	~ 0.77 x V _{CC} (RESET)	11b	30h	~ 0.83 x V _{CC}
A[5:4]	Hex code	V _{COMH} deselect level																								
00b	00h	~ 0.65 x V _{CC}																								
01b	10h	~ 0.71 x V _{CC}																								
10b	20h	~ 0.77 x V _{CC} (RESET)																								
11b	30h	~ 0.83 x V _{CC}																								
0	E3	1	1	1	0	0	0	1	1	NOP	Command for no operation															

Internal Charge Pump Command Table																											
D/C#	Hex	D7	D6	D5	D4	D3	D2	D1	D0	Command	Description																
0	8D	1	0	0	0	1	1	0	1	Charge Pump Setting	Enable / Disable internal charge pump: A[2] = 0b, Disable charge pump (RESET) A[2] = 1b, Enable charge pump during display on																
0	A[7:0]	A ₇	0	0	1	0	A ₂	0	A ₀																		
											<table border="1"> <thead> <tr> <th>A[7]</th> <th>A[0]</th> <th>Hex code</th> <th>Charge Pump Mode</th> </tr> </thead> <tbody> <tr> <td>0b</td> <td>0b</td> <td>14h</td> <td>7.5V (RESET)</td> </tr> <tr> <td>1b</td> <td>0b</td> <td>94h</td> <td>8.5V</td> </tr> <tr> <td>1b</td> <td>1b</td> <td>95h</td> <td>9.0V</td> </tr> </tbody> </table>	A[7]	A[0]	Hex code	Charge Pump Mode	0b	0b	14h	7.5V (RESET)	1b	0b	94h	8.5V	1b	1b	95h	9.0V
A[7]	A[0]	Hex code	Charge Pump Mode																								
0b	0b	14h	7.5V (RESET)																								
1b	0b	94h	8.5V																								
1b	1b	95h	9.0V																								
											Note ⁽¹⁾ The Charge Pump must be enabled by the following command sequence: 8Dh ; Charge Pump Setting 14h / 94h / 95h ; Enable Charge Pump AFh; Display ON																

Scrolling Command Table																				
D/C#	Hex	D7	D6	D5	D4	D3	D2	D1	D0	Command	Description									
0	26/27	0	0	1	0	0	1	1	X ₀	Continuous	26h, X[0]=0, Right Horizontal Scroll									
0	A[7:0]	0	0	0	0	0	0	0	0	Horizontal Scroll	27h, X[0]=1, Left Horizontal Scroll									
0	B[2:0]	0	0	0	0	0	B ₂	B ₁	B ₀	Setup	(Horizontal scroll by 1 column)									
0	C[2:0]	0	0	0	0	0	C ₂	C ₁	C ₀											
0	D[2:0]	0	0	0	0	0	D ₂	D ₁	D ₀											
0	E[7:0]	0	E ₆	E ₅	E ₄	E ₃	E ₂	E ₁	E ₀		A[7:0] : Dummy byte (Set as 00h)									
0	F[7:0]	0	F ₆	F ₅	F ₄	F ₃	F ₂	F ₁	F ₀		B[2:0] : Define start page address									
											<table border="1"> <tr> <td>000b – PAGE0</td> <td>011b – PAGE3</td> <td>110b – PAGE6</td> </tr> <tr> <td>001b – PAGE1</td> <td>100b – PAGE4</td> <td>111b – PAGE7</td> </tr> <tr> <td>010b – PAGE2</td> <td>101b – PAGE5</td> <td></td> </tr> </table>	000b – PAGE0	011b – PAGE3	110b – PAGE6	001b – PAGE1	100b – PAGE4	111b – PAGE7	010b – PAGE2	101b – PAGE5	
000b – PAGE0	011b – PAGE3	110b – PAGE6																		
001b – PAGE1	100b – PAGE4	111b – PAGE7																		
010b – PAGE2	101b – PAGE5																			
											C[2:0] : Set time interval between each scroll step in terms of frame frequency									
											<table border="1"> <tr> <td>000b – 6 frames</td> <td>100b – 3 frames</td> </tr> <tr> <td>001b – 32 frames</td> <td>101b – 4 frames</td> </tr> <tr> <td>010b – 64 frames</td> <td>110b – 5 frame</td> </tr> <tr> <td>011b – 128 frames</td> <td>111b – 2 frame</td> </tr> </table>	000b – 6 frames	100b – 3 frames	001b – 32 frames	101b – 4 frames	010b – 64 frames	110b – 5 frame	011b – 128 frames	111b – 2 frame	
000b – 6 frames	100b – 3 frames																			
001b – 32 frames	101b – 4 frames																			
010b – 64 frames	110b – 5 frame																			
011b – 128 frames	111b – 2 frame																			
											D[2:0] : Define end page address									
											<table border="1"> <tr> <td>000b – PAGE0</td> <td>011b – PAGE3</td> <td>110b – PAGE6</td> </tr> <tr> <td>001b – PAGE1</td> <td>100b – PAGE4</td> <td>111b – PAGE7</td> </tr> <tr> <td>010b – PAGE2</td> <td>101b – PAGE5</td> <td></td> </tr> </table>	000b – PAGE0	011b – PAGE3	110b – PAGE6	001b – PAGE1	100b – PAGE4	111b – PAGE7	010b – PAGE2	101b – PAGE5	
000b – PAGE0	011b – PAGE3	110b – PAGE6																		
001b – PAGE1	100b – PAGE4	111b – PAGE7																		
010b – PAGE2	101b – PAGE5																			
											E[6:0] : Define start column address (RESET = 00h)									
											F[6:0] : Define end column address (RESET = 7Fh)									
											Notes: ⁽¹⁾ The value of D[2:0] must be larger than or equal to B[2:0] ⁽²⁾ The value of F[6:0] must be larger than or equal to E[6:0]									

Scrolling Command Table

D/C#	Hex	D7	D6	D5	D4	D3	D2	D1	D0	Command	Description																										
0	29/2A	0	0	1	0	1	0	X ₁	X ₀	Continuous	29h, X ₁ X ₀ =01b : Vertical and Right Horizontal Scroll																										
0	A[2:0]	0	0	0	0	0	0	0	A ₀	Vertical and	2Ah, X ₁ X ₀ =10b : Vertical and Left Horizontal Scroll																										
0	B[2:0]	0	0	0	0	0	B ₂	B ₁	B ₀	Horizontal Scroll	A[0] : Set number of column scroll offset 0b No horizontal scroll 1b Horizontal scroll by 1 column B[2:0] : Define start page address <table border="1"> <tr> <td>000b – PAGE0</td> <td>011b – PAGE3</td> <td>110b – PAGE6</td> </tr> <tr> <td>001b – PAGE1</td> <td>100b – PAGE4</td> <td>111b – PAGE7</td> </tr> <tr> <td>010b – PAGE2</td> <td>101b – PAGE5</td> <td></td> </tr> </table> C[2:0] : Set time interval between each scroll step in terms of frame frequency <table border="1"> <tr> <td>000b – 6 frames</td> <td>100b – 3 frames</td> </tr> <tr> <td>001b – 32 frames</td> <td>101b – 4 frames</td> </tr> <tr> <td>010b – 64 frames</td> <td>110b – 5 frame</td> </tr> <tr> <td>011b – 128 frames</td> <td>111b – 2 frame</td> </tr> </table> D[2:0] : Define end page address <table border="1"> <tr> <td>000b – PAGE0</td> <td>011b – PAGE3</td> <td>110b – PAGE6</td> </tr> <tr> <td>001b – PAGE1</td> <td>100b – PAGE4</td> <td>111b – PAGE7</td> </tr> <tr> <td>010b – PAGE2</td> <td>101b – PAGE5</td> <td></td> </tr> </table> E[5:0] : Vertical scrolling offset e.g. E[5:0]= 01h refer to offset =1 row E[5:0] =3Fh refer to offset =63 rows F[6:0] : Define the start column address (RESET = 00h) G[6:0] : Define the end column address (RESET = 7Fh)	000b – PAGE0	011b – PAGE3	110b – PAGE6	001b – PAGE1	100b – PAGE4	111b – PAGE7	010b – PAGE2	101b – PAGE5		000b – 6 frames	100b – 3 frames	001b – 32 frames	101b – 4 frames	010b – 64 frames	110b – 5 frame	011b – 128 frames	111b – 2 frame	000b – PAGE0	011b – PAGE3	110b – PAGE6	001b – PAGE1	100b – PAGE4	111b – PAGE7	010b – PAGE2	101b – PAGE5	
000b – PAGE0	011b – PAGE3	110b – PAGE6																																			
001b – PAGE1	100b – PAGE4	111b – PAGE7																																			
010b – PAGE2	101b – PAGE5																																				
000b – 6 frames	100b – 3 frames																																				
001b – 32 frames	101b – 4 frames																																				
010b – 64 frames	110b – 5 frame																																				
011b – 128 frames	111b – 2 frame																																				
000b – PAGE0	011b – PAGE3	110b – PAGE6																																			
001b – PAGE1	100b – PAGE4	111b – PAGE7																																			
010b – PAGE2	101b – PAGE5																																				
0	C[2:0]	0	0	0	0	0	C ₂	C ₁	C ₀	Setup																											
0	D[2:0]	0	0	0	0	0	D ₂	D ₁	D ₀																												
0	E[5:0]	0	0	E ₅	E ₄	E ₃	E ₂	E ₁	E ₀																												
0	F[5:0]	0	F ₆	F ₅	F ₄	F ₃	F ₂	F ₁	F ₀																												
0	G[5:0]	0	G ₆	G ₅	G ₄	G ₃	G ₂	G ₁	G ₀																												

Note

- (1) The value of D[2:0] must be larger than or equal to B[2:0]
- (2) The value of E[5:0] must be less than B[6:0] in A3h
- (3) The value of G[6:0] must be larger than or equal to F[6:0]

Scrolling Command Table											
D/C#	Hex	D7	D6	D5	D4	D3	D2	D1	D0	Command	Description
0	2E	0	0	1	0	1	1	1	0	Deactivate scroll	<p>Stop scrolling that is configured by command 26h/27h/29h/2Ah.</p> <p>Note ⁽¹⁾ After sending 2Eh command to deactivate the scrolling action, the ram data needs to be rewritten.</p>
0	2F	0	0	1	0	1	1	1	1	Activate scroll	<p>Start scrolling that is configured by the scrolling setup commands :26h/27h/29h/2Ah with the following valid sequences:</p> <p>Valid command sequence 1: 26h ;2Fh. Valid command sequence 2: 27h ;2Fh. Valid command sequence 3: 29h ;2Fh. Valid command sequence 4: 2Ah ;2Fh.</p> <p>For example, if “26h; 2Ah; 2Fh.” commands are issued, the setting in the last scrolling setup command, i.e. 2Ah in this case, will be executed. In other words, setting in the last scrolling setup command overwrites the setting in the previous scrolling setup commands.</p>
0 0 0	A3 A[5:0] B[6:0]	1 0 0	0 0 B ₆	1 A ₅ B ₅	0 A ₄ B ₄	0 A ₃ B ₃	0 A ₂ B ₂	1 A ₁ B ₁	1 A ₀ B ₀	Set Vertical Scroll Area	<p>A[5:0] : Set No. of rows in top fixed area. The No. of rows in top fixed area is referenced to the top of the GDDRAM (i.e. row 0). [RESET = 0]</p> <p>B[6:0] : Set No. of rows in scroll area. This is the number of rows to be used for vertical scrolling. The scroll area starts in the first row below the top fixed area. [RESET = 64]</p> <p>Note ⁽¹⁾ A[5:0]+B[6:0] <= MUX ratio ⁽²⁾ B[6:0] <= MUX ratio ^(3a) Vertical scrolling offset (E[5:0] in 29h/2Ah) < B[6:0] ^(3b) Set Display Start Line (X₅X₄X₃X₂X₁X₀ of 40h~7Fh) < B[6:0] ⁽⁴⁾ The last row of the scroll area shifts to the first row of the scroll area. ⁽⁵⁾ For 64d MUX display A[5:0] = 0, B[6:0]=64 : whole area scrolls A[5:0] = 0, B[6:0] < 64 : top area scrolls A[5:0] + B[6:0] < 64 : central area scrolls A[5:0] + B[6:0] = 64 : bottom area scrolls</p>

Scrolling Command Table

D/C#	Hex	D7	D6	D5	D4	D3	D2	D1	D0	Command	Description																		
0	2C/2D	0	0	1	0	1	1	0	X ₀	Content Scroll Setup	2Ch, X[0]=0, Right Horizontal Scroll by one column 2Dh, X[0]=1, Left Horizontal Scroll by one column A[7:0] : Dummy byte (Set as 00h) B[2:0] : Define start page address <table border="1" style="margin-left: 20px;"> <tr> <td>000b – PAGE0</td> <td>011b – PAGE3</td> <td>110b – PAGE6</td> </tr> <tr> <td>001b – PAGE1</td> <td>100b – PAGE4</td> <td>111b – PAGE7</td> </tr> <tr> <td>010b – PAGE2</td> <td>101b – PAGE5</td> <td></td> </tr> </table> C[7:0] : Dummy byte (Set as 01h) D[2:0] : Define end page address <table border="1" style="margin-left: 20px;"> <tr> <td>000b – PAGE0</td> <td>011b – PAGE3</td> <td>110b – PAGE6</td> </tr> <tr> <td>001b – PAGE1</td> <td>100b – PAGE4</td> <td>111b – PAGE7</td> </tr> <tr> <td>010b – PAGE2</td> <td>101b – PAGE5</td> <td></td> </tr> </table> E[6:0] : Define start column address (RESET = 00h) F[6:0] : Define end column address (RESET = 7Fh)	000b – PAGE0	011b – PAGE3	110b – PAGE6	001b – PAGE1	100b – PAGE4	111b – PAGE7	010b – PAGE2	101b – PAGE5		000b – PAGE0	011b – PAGE3	110b – PAGE6	001b – PAGE1	100b – PAGE4	111b – PAGE7	010b – PAGE2	101b – PAGE5	
000b – PAGE0	011b – PAGE3	110b – PAGE6																											
001b – PAGE1	100b – PAGE4	111b – PAGE7																											
010b – PAGE2	101b – PAGE5																												
000b – PAGE0	011b – PAGE3	110b – PAGE6																											
001b – PAGE1	100b – PAGE4	111b – PAGE7																											
010b – PAGE2	101b – PAGE5																												
0	A[7:0]	0	0	0	0	0	0	0	0																				
0	B[2:0]	0	0	0	0	0	B ₂	B ₁	B ₀																				
0	C[7:0]	0	0	0	0	0	0	0	1																				
0	D[2:0]	0	0	0	0	0	D ₂	D ₁	D ₀																				
0	E[7:0]	0	E ₆	E ₅	E ₄	E ₃	E ₂	E ₁	E ₀																				
0	F[7:0]	0	F ₆	F ₅	F ₄	F ₃	F ₂	F ₁	F ₀																				

Note

- (1) The value of D[2:0] must be larger than or equal to B[2:0]
- (2) The value of F[6:0] must be larger than E[6:0]
- (3) A delay time of 2 frame frequency must be set if sending the command of 2Ch / 2Dh consecutively

Advance Graphic Command Table																							
D/C#	Hex	D7	D6	D5	D4	D3	D2	D1	D0	Command	Description												
0 0	23 A[5:0]	0 *	0 *	1 A ₅	0 A ₄	0 A ₃	0 A ₂	1 A ₁	1 A ₀	Set Fade Out and Blinking	<p>A[5:4] = 00b Disable Fade Out / Blinking Mode[RESET]</p> <p>A[5:4] = 10b Enable Fade Out mode. Once Fade Out mode is enabled, contrast decrease gradually to all pixels OFF. Output follows RAM content when Fade mode is disabled.</p> <p>A[5:4] = 11b Enable Blinking mode. Once Blinking mode is enabled, contrast decrease gradually to all pixels OFF and then contrast increase gradually to normal display. This process loop continuously until the Blinking mode is disabled.</p> <p>A[3:0] : Set time interval for each fade step</p> <table border="1"> <thead> <tr> <th>A[3:0]</th> <th>Time interval for each fade step</th> </tr> </thead> <tbody> <tr> <td>0000b</td> <td>8 Frames</td> </tr> <tr> <td>0001b</td> <td>16 Frames</td> </tr> <tr> <td>0010b</td> <td>24 Frames</td> </tr> <tr> <td colspan="2" style="text-align: center;">:</td> </tr> <tr> <td>1111b</td> <td>128 Frames</td> </tr> </tbody> </table> <p>Note (1) Refer to section 1.4.1 for details.</p>	A[3:0]	Time interval for each fade step	0000b	8 Frames	0001b	16 Frames	0010b	24 Frames	:		1111b	128 Frames
A[3:0]	Time interval for each fade step																						
0000b	8 Frames																						
0001b	16 Frames																						
0010b	24 Frames																						
:																							
1111b	128 Frames																						
0 0	D6 A[0]	1 *	1 *	0 *	1 *	0 *	1 *	1 *	0 A ₀	Set Zoom In	<p>A[0] = 0b Disable Zoom in Mode [RESET]</p> <p>A[0] = 1b Enable Zoom in Mode</p> <p>Note (1) The panel must be in alternative COM pin configuration (command DAh A[4]=1) (2) Refer to section 1.4.2 for details.</p>												

Note

(1) “*” stands for “Don’t care”.

Table 1-2 : Read Command Table

Bit Pattern	Command	Description
D ₇ D ₆ D ₅ D ₄ D ₃ D ₂ D ₁ D ₀	Status Register Read	D[7] : Reserved D[6] : “1” for display OFF / “0” for display ON D[5] : Reserved D[4] : Reserved D[3] : Reserved D[2] : Reserved D[1] : Reserved D[0] : Reserved

Note

⁽¹⁾ Patterns other than those given in the Command Table are prohibited to enter the chip as a command; as unexpected results can occur.

1.1 Data Read / Write

To read data from the GDDRAM, select HIGH for both the R/W# (WR#) pin and the D/C# pin for 6800-series parallel mode and select LOW for the E (RD#) pin and HIGH for the D/C# pin for 8080-series parallel mode. No data read is provided in serial mode operation.

In normal data read mode the GDDRAM column address pointer will be increased automatically by one after each data read.

Also, a dummy read is required before the first data read.

To write data to the GDDRAM, select LOW for the R/W# (WR#) pin and HIGH for the D/C# pin for both 6800-series parallel mode and 8080-series parallel mode. The serial interface mode is always in write mode. The GDDRAM column address pointer will be increased automatically by one after each data write.

Table 1-3 : Address increment table (Automatic)

D/C#	R/W# (WR#)	Comment	Address Increment
0	0	Write Command	No
0	1	Read Status	No
1	0	Write Data	Yes
1	1	Read Data	Yes

1.2 Fundamental Command

1.2.1 Set Lower Column Start Address for Page Addressing Mode (00h~0Fh)

This command specifies the lower nibble of the 8-bit column start address for the display data RAM under Page Addressing Mode. The column address will be incremented by each data access. Please refer to Section Table 1-1 and Section 1.2.3 for details.

1.2.2 Set Higher Column Start Address for Page Addressing Mode (10h~17h)

This command specifies the higher nibble of the 8-bit column start address for the display data RAM under Page Addressing Mode. The column address will be incremented by each data access. Please refer to Section Table 1-1 and Section 1.2.3 for details.

1.2.3 Set Memory Addressing Mode (20h)

There are 3 different memory addressing mode in SSD1315: page addressing mode, horizontal addressing mode and vertical addressing mode. This command sets the way of memory addressing into one of the above three modes. In there, “COL” means the graphic display data RAM column.

Page addressing mode (A[1:0]=10xb)

In page addressing mode, after the display RAM is read/written, the column address pointer is increased automatically by 1. Users have to set the new page and column addresses in order to access the next page RAM content. The sequence of movement of the PAGE and column address point for page addressing mode is shown in Figure 1-1.

Figure 1-1 : Address Pointer Movement of Page addressing mode

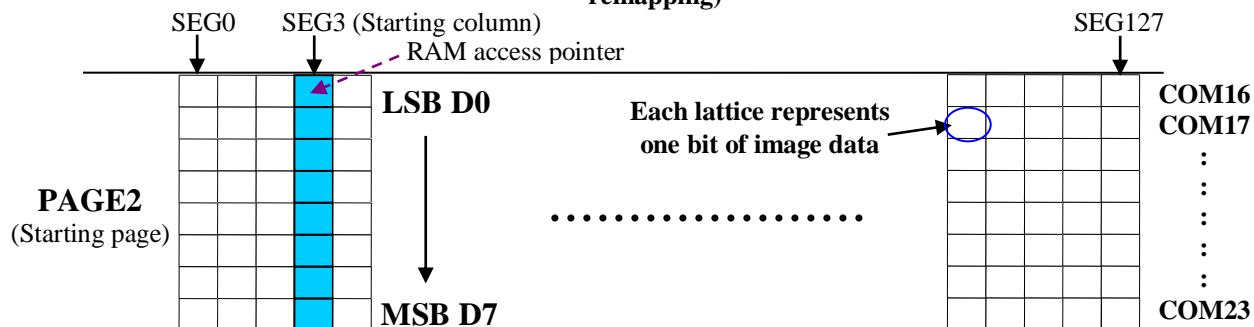
	COL0	COL 1	COL 126	COL 127
PAGE0	→				
PAGE1	→				
:	:	:	:	:	:
PAGE6	→				
PAGE7	→				

In normal display data RAM read or write and page addressing mode, the following steps are required to define the starting RAM access pointer location:

- Set the page start address of the target display location by command B0h to B7h.
- Set the lower start column address of pointer by command 00h~0Fh.
- Set the upper start column address of pointer by command 10h~17h.

For example, if the page address is set to B2h, lower column address is 03h and upper column address is 10h, then that means the starting column is SEG3 of PAGE2. The RAM access pointer is located as shown in Figure 1-2. The input data byte will be written into RAM position of column 3.

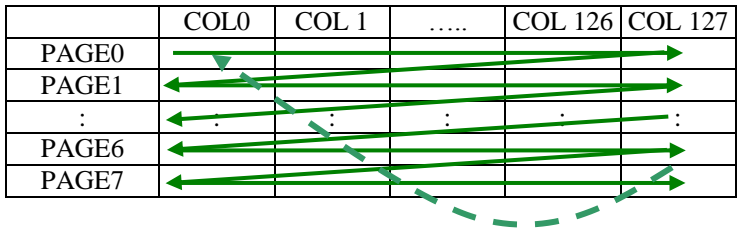
Figure 1-2 : Example of GDDRAM access pointer setting in Page Addressing Mode (No row and column-remapping)



Horizontal addressing mode (A[1:0]=00b)

In horizontal addressing mode, after the display RAM is read/written, the column address pointer is increased automatically by 1. If the column address pointer reaches column end address, the column address pointer is reset to column start address and page address pointer is increased by 1. The sequence of movement of the page and column address point for horizontal addressing mode is shown in Figure 1-3. When both column and page address pointers reach the end address, the pointers are reset to column start address and page start address (Dotted line in Figure 1-3.)

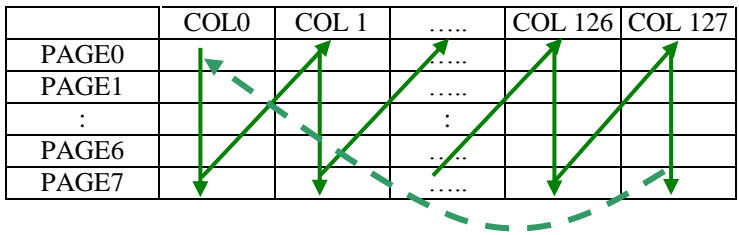
Figure 1-3 : Address Pointer Movement of Horizontal addressing mode



Vertical addressing mode: (A[1:0]=01b)

In vertical addressing mode, after the display RAM is read/written, the page address pointer is increased automatically by 1. If the page address pointer reaches the page end address, the page address pointer is reset to page start address and column address pointer is increased by 1. The sequence of movement of the page and column address point for vertical addressing mode is shown in Figure 1-4. When both column and page address pointers reach the end address, the pointers are reset to column start address and page start address (Dotted line in Figure 1-4.)

Figure 1-4 : Address Pointer Movement of Vertical addressing mode



In normal display data RAM read or write and horizontal / vertical addressing mode, the following steps are required to define the RAM access pointer location:

- Set the column start and end address of the target display location by command 21h.
- Set the page start and end address of the target display location by command 22h.

Example is shown in Figure 1-5.

1.2.4 Set Column Address (21h)

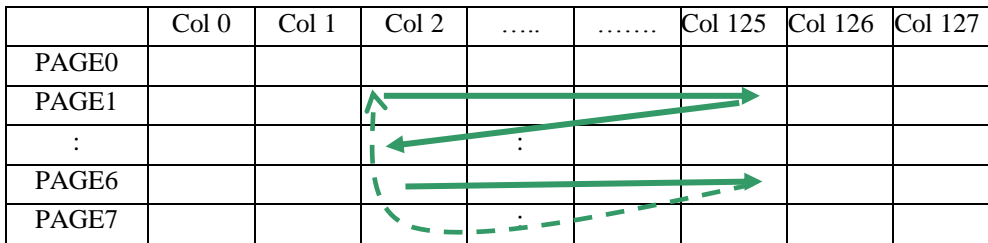
This triple byte command specifies column start address and end address of the display data RAM. This command also sets the column address pointer to column start address. This pointer is used to define the current read/write column address in graphic display data RAM. If horizontal address increment mode is enabled by command 20h, after finishing read/write one column data, it is incremented automatically to the next column address. Whenever the column address pointer finishes accessing the end column address, it is reset back to start column address and the row address is incremented to the next row.

1.2.5 Set Page Address (22h)

This triple byte command specifies page start address and end address of the display data RAM. This command also sets the page address pointer to page start address. This pointer is used to define the current read/write page address in graphic display data RAM. If vertical address increment mode is enabled by command 20h, after finishing read/write one page data, it is incremented automatically to the next page address. Whenever the page address pointer finishes accessing the end page address, it is reset back to start page address.

The figure below shows the way of column and page address pointer movement through the example: column start address is set to 2 and column end address is set to 125, page start address is set to 1 and page end address is set to 6; Horizontal address increment mode is enabled by command 20h. In this case, the graphic display data RAM column accessible range is from column 2 to column 125 and from page 1 to page 6 only. In addition, the column address pointer is set to 2 and page address pointer is set to 1. After finishing read/write one pixel of data, the column address is increased automatically by 1 to access the next RAM location for next read/write operation (*solid line in Figure 1-5*). Whenever the column address pointer finishes accessing the end column 125, it is reset back to column 2 and page address is automatically increased by 1 (*solid line in Figure 1-5*). While the end page 6 and end column 125 RAM location is accessed, the page address is reset back to 1 and the column address is reset back to 2 (*dotted line in Figure 1-5*).

Figure 1-5 : Example of Column and Row Address Pointer Movement



1.2.6 Set Display Start Line (40h~7Fh)

This command sets the Display Start Line register to determine starting address of display RAM, by selecting a value from 0 to 63. With value equal to 0, RAM row 0 is mapped to COM0. With value equal to 1, RAM row 1 is mapped to COM0 and so on. Refer to Table 1-4 for more illustrations.

1.2.7 Set Contrast Control (81h)

This command sets the Contrast Setting of the display with a valid range from 01h to FFh. The segment output current increases as the contrast step value increases.

1.2.8 Set Segment Re-map (A0h/A1h)

This command changes the mapping between the display data column address and the segment driver. It allows flexibility in OLED module design. Please refer to Table 1-1.

This command only affects subsequent data input. Data already stored in GDDRAM will have no changes.

1.2.9 Entire Display ON (A4h/A5h)

A4h command enable display outputs according to the GDDRAM contents.

If A5h command is issued, then by using A4h command, the display will resume to the GDDRAM contents.

In other words, A4h command resumes the display from entire display “ON” stage.

A5h command forces the entire display to be “ON”, regardless of the contents of the display data RAM.

1.2.10 Set Normal/Inverse Display (A6h/A7h)

This command sets the display to be either normal or inverse. In normal display a RAM data of 1 indicates an “ON” pixel while in inverse display a RAM data of 0 indicates an “ON” pixel.

1.2.11 Set Multiplex Ratio (A8h)

This command switches the default 63 multiplex mode to any multiplex ratio, ranging from 16 to 63. The output pads COM0~COM63 will be switched to the corresponding COM signal.

1.2.12 External or internal I_{REF} Selection (ADh)

This command selects the external I_{REF} or internal I_{REF} and to define the value of internal I_{REF} setting. Refer to SEG/COM Driving block for details.

1.2.13 Set Display ON/OFF (AEh/AFh)

These single byte commands are used to turn the OLED panel display ON or OFF.

When the display is ON, the selected circuits by Set Master Configuration command will be turned ON.

When the display is OFF, those circuits will be turned OFF and the segment and common output are in V_{SS} state and high impedance state, respectively. These commands set the display to one of the two states:

- AEh : Display OFF
- AFh : Display ON

Figure 1-6 :Transition between different modes



1.2.14 Set Page Start Address for Page Addressing Mode (B0h~B7h)

This command positions the page start address from 0 to 7 in GDDRAM under Page Addressing Mode. Please refer to Table 1-1 and Section 1.2.3 for details.

1.2.15 Set COM Output Scan Direction (C0h/C8h)

This command sets the scan direction of the COM output, allowing layout flexibility in the OLED module design. Additionally, the display will show once this command is issued. For example, if this command is sent during normal display then the graphic display will be vertically flipped immediately. Please refer to Table 1-6 for details.

1.2.16 Set Display Offset (D3h)

This is a double byte command. The second command specifies the mapping of the display start line to one of COM0~COM63 (assuming that COM0 is the display start line then the display start line register is equal to 0).

For example, to move the COM16 towards the COM0 direction by 16 lines the 6-bit data in the second byte should be given as 010000b. To move in the opposite direction by 16 lines the 6-bit data should be given by 64 – 16, so the second byte would be 110000b. The following two tables (Table 1-4, Table 1-5) show the example of setting the command C0h/C8h and D3h.

Table 1-4 : Example of Set Display Offset and Display Start Line with no Remap

Hardware pin name	Output										Set MUX ratio(A8h) COM Normal / Remapped (C0h / C8h) Display offset (D3h) Display start line (40h - 7Fh)		
	64		64		64		56		56			56	
	Normal		Normal		Normal		Normal		Normal			Normal	
	0	8	8	0	0	8	0	8	0	8		8	
COM0	Row0	RAM0	Row8	RAM8	Row0	RAM8	Row0	RAM0	Row8	RAM8	Row0	RAM8	
COM1	Row1	RAM1	Row9	RAM9	Row1	RAM9	Row1	RAM1	Row9	RAM9	Row1	RAM9	
COM2	Row2	RAM2	Row10	RAM10	Row2	RAM10	Row2	RAM2	Row10	RAM10	Row2	RAM10	
COM3	Row3	RAM3	Row11	RAM11	Row3	RAM11	Row3	RAM3	Row11	RAM11	Row3	RAM11	
COM4	Row4	RAM4	Row12	RAM12	Row4	RAM12	Row4	RAM4	Row12	RAM12	Row4	RAM12	
COM5	Row5	RAM5	Row13	RAM13	Row5	RAM13	Row5	RAM5	Row13	RAM13	Row5	RAM13	
COM6	Row6	RAM6	Row14	RAM14	Row6	RAM14	Row6	RAM6	Row14	RAM14	Row6	RAM14	
COM7	Row7	RAM7	Row15	RAM15	Row7	RAM15	Row7	RAM7	Row15	RAM15	Row7	RAM15	
COM8	Row8	RAM8	Row16	RAM16	Row8	RAM16	Row8	RAM8	Row16	RAM16	Row8	RAM16	
COM9	Row9	RAM9	Row17	RAM17	Row9	RAM17	Row9	RAM9	Row17	RAM17	Row9	RAM17	
COM10	Row10	RAM10	Row18	RAM18	Row10	RAM18	Row10	RAM10	Row18	RAM18	Row10	RAM18	
COM11	Row11	RAM11	Row19	RAM19	Row11	RAM19	Row11	RAM11	Row19	RAM19	Row11	RAM19	
COM12	Row12	RAM12	Row20	RAM20	Row12	RAM20	Row12	RAM12	Row20	RAM20	Row12	RAM20	
COM13	Row13	RAM13	Row21	RAM21	Row13	RAM21	Row13	RAM13	Row21	RAM21	Row13	RAM21	
COM14	Row14	RAM14	Row22	RAM22	Row14	RAM22	Row14	RAM14	Row22	RAM22	Row14	RAM22	
COM15	Row15	RAM15	Row23	RAM23	Row15	RAM23	Row15	RAM15	Row23	RAM23	Row15	RAM23	
COM16	Row16	RAM16	Row24	RAM24	Row16	RAM24	Row16	RAM16	Row24	RAM24	Row16	RAM24	
COM17	Row17	RAM17	Row25	RAM25	Row17	RAM25	Row17	RAM17	Row25	RAM25	Row17	RAM25	
COM18	Row18	RAM18	Row26	RAM26	Row18	RAM26	Row18	RAM18	Row26	RAM26	Row18	RAM26	
COM19	Row19	RAM19	Row27	RAM27	Row19	RAM27	Row19	RAM19	Row27	RAM27	Row19	RAM27	
COM20	Row20	RAM20	Row28	RAM28	Row20	RAM28	Row20	RAM20	Row28	RAM28	Row20	RAM28	
COM21	Row21	RAM21	Row29	RAM29	Row21	RAM29	Row21	RAM21	Row29	RAM29	Row21	RAM29	
COM22	Row22	RAM22	Row30	RAM30	Row22	RAM30	Row22	RAM22	Row30	RAM30	Row22	RAM30	
COM23	Row23	RAM23	Row31	RAM31	Row23	RAM31	Row23	RAM23	Row31	RAM31	Row23	RAM31	
COM24	Row24	RAM24	Row32	RAM32	Row24	RAM32	Row24	RAM24	Row32	RAM32	Row24	RAM32	
COM25	Row25	RAM25	Row33	RAM33	Row25	RAM33	Row25	RAM25	Row33	RAM33	Row25	RAM33	
COM26	Row26	RAM26	Row34	RAM34	Row26	RAM34	Row26	RAM26	Row34	RAM34	Row26	RAM34	
COM27	Row27	RAM27	Row35	RAM35	Row27	RAM35	Row27	RAM27	Row35	RAM35	Row27	RAM35	
COM28	Row28	RAM28	Row36	RAM36	Row28	RAM36	Row28	RAM28	Row36	RAM36	Row28	RAM36	
COM29	Row29	RAM29	Row37	RAM37	Row29	RAM37	Row29	RAM29	Row37	RAM37	Row29	RAM37	
COM30	Row30	RAM30	Row38	RAM38	Row30	RAM38	Row30	RAM30	Row38	RAM38	Row30	RAM38	
COM31	Row31	RAM31	Row39	RAM39	Row31	RAM39	Row31	RAM31	Row39	RAM39	Row31	RAM39	
COM32	Row32	RAM32	Row40	RAM40	Row32	RAM40	Row32	RAM32	Row40	RAM40	Row32	RAM40	
COM33	Row33	RAM33	Row41	RAM41	Row33	RAM41	Row33	RAM33	Row41	RAM41	Row33	RAM41	
COM34	Row34	RAM34	Row42	RAM42	Row34	RAM42	Row34	RAM34	Row42	RAM42	Row34	RAM42	
COM35	Row35	RAM35	Row43	RAM43	Row35	RAM43	Row35	RAM35	Row43	RAM43	Row35	RAM43	
COM36	Row36	RAM36	Row44	RAM44	Row36	RAM44	Row36	RAM36	Row44	RAM44	Row36	RAM44	
COM37	Row37	RAM37	Row45	RAM45	Row37	RAM45	Row37	RAM37	Row45	RAM45	Row37	RAM45	
COM38	Row38	RAM38	Row46	RAM46	Row38	RAM46	Row38	RAM38	Row46	RAM46	Row38	RAM46	
COM39	Row39	RAM39	Row47	RAM47	Row39	RAM47	Row39	RAM39	Row47	RAM47	Row39	RAM47	
COM40	Row40	RAM40	Row48	RAM48	Row40	RAM48	Row40	RAM40	Row48	RAM48	Row40	RAM48	
COM41	Row41	RAM41	Row49	RAM49	Row41	RAM49	Row41	RAM41	Row49	RAM49	Row41	RAM49	
COM42	Row42	RAM42	Row50	RAM50	Row42	RAM50	Row42	RAM42	Row50	RAM50	Row42	RAM50	
COM43	Row43	RAM43	Row51	RAM51	Row43	RAM51	Row43	RAM43	Row51	RAM51	Row43	RAM51	
COM44	Row44	RAM44	Row52	RAM52	Row44	RAM52	Row44	RAM44	Row52	RAM52	Row44	RAM52	
COM45	Row45	RAM45	Row53	RAM53	Row45	RAM53	Row45	RAM45	Row53	RAM53	Row45	RAM53	
COM46	Row46	RAM46	Row54	RAM54	Row46	RAM54	Row46	RAM46	Row54	RAM54	Row46	RAM54	
COM47	Row47	RAM47	Row55	RAM55	Row47	RAM55	Row47	RAM47	Row55	RAM55	Row47	RAM55	
COM48	Row48	RAM48	Row56	RAM56	Row48	RAM56	Row48	RAM48	-	-	Row48	RAM56	
COM49	Row49	RAM49	Row57	RAM57	Row49	RAM57	Row49	RAM49	-	-	Row49	RAM57	
COM50	Row50	RAM50	Row58	RAM58	Row50	RAM58	Row50	RAM50	-	-	Row50	RAM58	
COM51	Row51	RAM51	Row59	RAM59	Row51	RAM59	Row51	RAM51	-	-	Row51	RAM59	
COM52	Row52	RAM52	Row60	RAM60	Row52	RAM60	Row52	RAM52	-	-	Row52	RAM60	
COM53	Row53	RAM53	Row61	RAM61	Row53	RAM61	Row53	RAM53	-	-	Row53	RAM61	
COM54	Row54	RAM54	Row62	RAM62	Row54	RAM62	Row54	RAM54	-	-	Row54	RAM62	
COM55	Row55	RAM55	Row63	RAM63	Row55	RAM63	Row55	RAM55	-	-	Row55	RAM63	
COM56	Row56	RAM56	Row0	RAM0	Row56	RAM0	-	-	Row0	RAM0	-	-	
COM57	Row57	RAM57	Row1	RAM1	Row57	RAM1	-	-	Row1	RAM1	-	-	
COM58	Row58	RAM58	Row2	RAM2	Row58	RAM2	-	-	Row2	RAM2	-	-	
COM59	Row59	RAM59	Row3	RAM3	Row59	RAM3	-	-	Row3	RAM3	-	-	
COM60	Row60	RAM60	Row4	RAM4	Row60	RAM4	-	-	Row4	RAM4	-	-	
COM61	Row61	RAM61	Row5	RAM5	Row61	RAM5	-	-	Row5	RAM5	-	-	
COM62	Row62	RAM62	Row6	RAM6	Row62	RAM6	-	-	Row6	RAM6	-	-	
COM63	Row63	RAM63	Row7	RAM7	Row63	RAM7	-	-	Row7	RAM7	-	-	
Display examples	(a)	(b)	(c)	(d)	(e)	(f)							



(a)



(b)



(c)



(d)



(e)



(f)



(RAM)

Table 1-5 : Example of Set Display Offset and Display Start Line with Remap

Hardware pin name	Output														Set MUX ratio(A8h)	
	64		64		64		48		48		48		48			COM Normal / Remapped (C0h / C8h)
	Remap		Remap		Remap		Remap		Remap		Remap		Remap			
	0		8		0		0		8		0		8			
0		0		8		0		0		8		16		Display start line (40h - 7Fh)		
COM0	Row63	RAM63	Row7	RAM7	Row63	RAM7	Row47	RAM47	-	-	Row47	RAM55	-	-		
COM1	Row62	RAM62	Row6	RAM6	Row62	RAM6	Row46	RAM46	-	-	Row46	RAM54	-	-		
COM2	Row61	RAM61	Row5	RAM5	Row61	RAM5	Row45	RAM45	-	-	Row45	RAM53	-	-		
COM3	Row60	RAM60	Row4	RAM4	Row60	RAM4	Row44	RAM44	-	-	Row44	RAM52	-	-		
COM4	Row59	RAM59	Row3	RAM3	Row59	RAM3	Row43	RAM43	-	-	Row43	RAM51	-	-		
COM5	Row58	RAM58	Row2	RAM2	Row58	RAM2	Row42	RAM42	-	-	Row42	RAM50	-	-		
COM6	Row57	RAM57	Row1	RAM1	Row57	RAM1	Row41	RAM41	-	-	Row41	RAM49	-	-		
COM7	Row56	RAM56	Row0	RAM0	Row56	RAM0	Row40	RAM40	-	-	Row40	RAM48	-	-		
COM8	Row55	RAM55	Row63	RAM63	Row55	RAM63	Row39	RAM39	Row47	RAM47	Row39	RAM47	Row47	RAM63		
COM9	Row54	RAM54	Row62	RAM62	Row54	RAM62	Row38	RAM38	Row46	RAM46	Row38	RAM46	Row46	RAM62		
COM10	Row53	RAM53	Row61	RAM61	Row53	RAM61	Row37	RAM37	Row45	RAM45	Row37	RAM45	Row45	RAM61		
COM11	Row52	RAM52	Row60	RAM60	Row52	RAM60	Row36	RAM36	Row44	RAM44	Row36	RAM44	Row44	RAM60		
COM12	Row51	RAM51	Row59	RAM59	Row51	RAM59	Row35	RAM35	Row43	RAM43	Row35	RAM43	Row43	RAM59		
COM13	Row50	RAM50	Row58	RAM58	Row50	RAM58	Row34	RAM34	Row42	RAM42	Row34	RAM42	Row42	RAM58		
COM14	Row49	RAM49	Row57	RAM57	Row49	RAM57	Row33	RAM33	Row41	RAM41	Row33	RAM41	Row41	RAM57		
COM15	Row48	RAM48	Row56	RAM56	Row48	RAM56	Row32	RAM32	Row40	RAM40	Row32	RAM40	Row40	RAM56		
COM16	Row47	RAM47	Row55	RAM55	Row47	RAM55	Row31	RAM31	Row39	RAM39	Row31	RAM39	Row39	RAM55		
COM17	Row46	RAM46	Row54	RAM54	Row46	RAM54	Row30	RAM30	Row38	RAM38	Row30	RAM38	Row38	RAM54		
COM18	Row45	RAM45	Row53	RAM53	Row45	RAM53	Row29	RAM29	Row37	RAM37	Row29	RAM37	Row37	RAM53		
COM19	Row44	RAM44	Row52	RAM52	Row44	RAM52	Row28	RAM28	Row36	RAM36	Row28	RAM36	Row36	RAM52		
COM20	Row43	RAM43	Row51	RAM51	Row43	RAM51	Row27	RAM27	Row35	RAM35	Row27	RAM35	Row35	RAM51		
COM21	Row42	RAM42	Row50	RAM50	Row42	RAM50	Row26	RAM26	Row34	RAM34	Row26	RAM34	Row34	RAM50		
COM22	Row41	RAM41	Row49	RAM49	Row41	RAM49	Row25	RAM25	Row33	RAM33	Row25	RAM33	Row33	RAM49		
COM23	Row40	RAM40	Row48	RAM48	Row40	RAM48	Row24	RAM24	Row32	RAM32	Row24	RAM32	Row32	RAM48		
COM24	Row39	RAM39	Row47	RAM47	Row39	RAM47	Row23	RAM23	Row31	RAM31	Row23	RAM31	Row31	RAM47		
COM25	Row38	RAM38	Row46	RAM46	Row38	RAM46	Row22	RAM22	Row30	RAM30	Row22	RAM30	Row30	RAM46		
COM26	Row37	RAM37	Row45	RAM45	Row37	RAM45	Row21	RAM21	Row29	RAM29	Row21	RAM29	Row29	RAM45		
COM27	Row36	RAM36	Row44	RAM44	Row36	RAM44	Row20	RAM20	Row28	RAM28	Row20	RAM28	Row28	RAM44		
COM28	Row35	RAM35	Row43	RAM43	Row35	RAM43	Row19	RAM19	Row27	RAM27	Row19	RAM27	Row27	RAM43		
COM29	Row34	RAM34	Row42	RAM42	Row34	RAM42	Row18	RAM18	Row26	RAM26	Row18	RAM26	Row26	RAM42		
COM30	Row33	RAM33	Row41	RAM41	Row33	RAM41	Row17	RAM17	Row25	RAM25	Row17	RAM25	Row25	RAM41		
COM31	Row32	RAM32	Row40	RAM40	Row32	RAM40	Row16	RAM16	Row24	RAM24	Row16	RAM24	Row24	RAM40		
COM32	Row31	RAM31	Row39	RAM39	Row31	RAM39	Row15	RAM15	Row23	RAM23	Row15	RAM23	Row23	RAM39		
COM33	Row30	RAM30	Row38	RAM38	Row30	RAM38	Row14	RAM14	Row22	RAM22	Row14	RAM22	Row22	RAM38		
COM34	Row29	RAM29	Row37	RAM37	Row29	RAM37	Row13	RAM13	Row21	RAM21	Row13	RAM21	Row21	RAM37		
COM35	Row28	RAM28	Row36	RAM36	Row28	RAM36	Row12	RAM12	Row20	RAM20	Row12	RAM20	Row20	RAM36		
COM36	Row27	RAM27	Row35	RAM35	Row27	RAM35	Row11	RAM11	Row19	RAM19	Row11	RAM19	Row19	RAM35		
COM37	Row26	RAM26	Row34	RAM34	Row26	RAM34	Row10	RAM10	Row18	RAM18	Row10	RAM18	Row18	RAM34		
COM38	Row25	RAM25	Row33	RAM33	Row25	RAM33	Row9	RAM9	Row17	RAM17	Row9	RAM17	Row17	RAM33		
COM39	Row24	RAM24	Row32	RAM32	Row24	RAM32	Row8	RAM8	Row16	RAM16	Row8	RAM16	Row16	RAM32		
COM40	Row23	RAM23	Row31	RAM31	Row23	RAM31	Row7	RAM7	Row15	RAM15	Row7	RAM15	Row15	RAM31		
COM41	Row22	RAM22	Row30	RAM30	Row22	RAM30	Row6	RAM6	Row14	RAM14	Row6	RAM14	Row14	RAM30		
COM42	Row21	RAM21	Row29	RAM29	Row21	RAM29	Row5	RAM5	Row13	RAM13	Row5	RAM13	Row13	RAM29		
COM43	Row20	RAM20	Row28	RAM28	Row20	RAM28	Row4	RAM4	Row12	RAM12	Row4	RAM12	Row12	RAM28		
COM44	Row19	RAM19	Row27	RAM27	Row19	RAM27	Row3	RAM3	Row11	RAM11	Row3	RAM11	Row11	RAM27		
COM45	Row18	RAM18	Row26	RAM26	Row18	RAM26	Row2	RAM2	Row10	RAM10	Row2	RAM10	Row10	RAM26		
COM46	Row17	RAM17	Row25	RAM25	Row17	RAM25	Row1	RAM1	Row9	RAM9	Row1	RAM9	Row9	RAM25		
COM47	Row16	RAM16	Row24	RAM24	Row16	RAM24	Row0	RAM0	Row8	RAM8	Row0	RAM8	Row8	RAM24		
COM48	Row15	RAM15	Row23	RAM23	Row15	RAM23	-	-	Row7	RAM7	-	-	Row7	RAM23		
COM49	Row14	RAM14	Row22	RAM22	Row14	RAM22	-	-	Row6	RAM6	-	-	Row6	RAM22		
COM50	Row13	RAM13	Row21	RAM21	Row13	RAM21	-	-	Row5	RAM5	-	-	Row5	RAM21		
COM51	Row12	RAM12	Row20	RAM20	Row12	RAM20	-	-	Row4	RAM4	-	-	Row4	RAM20		
COM52	Row11	RAM11	Row19	RAM19	Row11	RAM19	-	-	Row3	RAM3	-	-	Row3	RAM19		
COM53	Row10	RAM10	Row18	RAM18	Row10	RAM18	-	-	Row2	RAM2	-	-	Row2	RAM18		
COM54	Row9	RAM9	Row17	RAM17	Row9	RAM17	-	-	Row1	RAM1	-	-	Row1	RAM17		
COM55	Row8	RAM8	Row16	RAM16	Row8	RAM16	-	-	Row0	RAM0	-	-	Row0	RAM16		
COM56	Row7	RAM7	Row15	RAM15	Row7	RAM15	-	-	-	-	-	-	-	-		
COM57	Row6	RAM6	Row14	RAM14	Row6	RAM14	-	-	-	-	-	-	-	-		
COM58	Row5	RAM5	Row13	RAM13	Row5	RAM13	-	-	-	-	-	-	-	-		
COM59	Row4	RAM4	Row12	RAM12	Row4	RAM12	-	-	-	-	-	-	-	-		
COM60	Row3	RAM3	Row11	RAM11	Row3	RAM11	-	-	-	-	-	-	-	-		
COM61	Row2	RAM2	Row10	RAM10	Row2	RAM10	-	-	-	-	-	-	-	-		
COM62	Row1	RAM1	Row9	RAM9	Row1	RAM9	-	-	-	-	-	-	-	-		
COM63	Row0	RAM0	Row8	RAM8	Row0	RAM8	-	-	-	-	-	-	-	-		
Display examples	(a)	(b)	(c)	(d)	(e)	(f)	(g)									



(a)



(b)



(c)



(d)



(e)



(f)



(g)



(RAM)

1.2.17 Set Display Clock Divide Ratio/ Oscillator Frequency (D5h)

This command consists of two functions:

- Display Clock Divide Ratio (D) (A[3:0])
Set the divide ratio to generate DCLK (Display Clock) from CLK. The divide ratio is from 1 to 16, with reset value = 1. Please refer to Oscillator Circuit and Display Time Generator for the details relationship of DCLK and CLK.
- Oscillator Frequency (A[7:4])
Program the oscillator frequency Fosc that is the source of CLK if CLS pin is pulled high. The 4-bit value results in 16 different frequency settings. The default setting is 1000b.

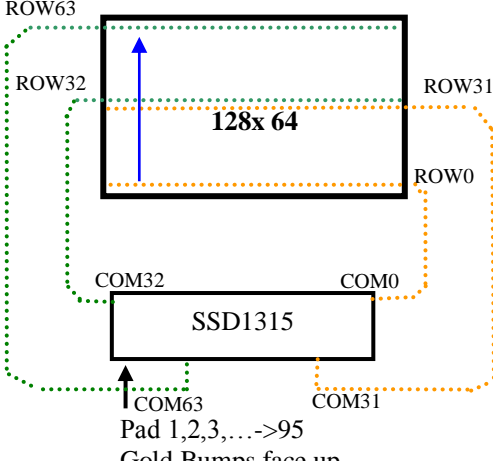
1.2.18 Set Pre-charge Period (D9h)

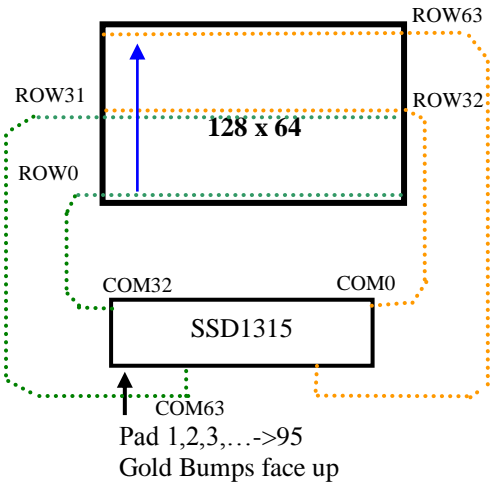
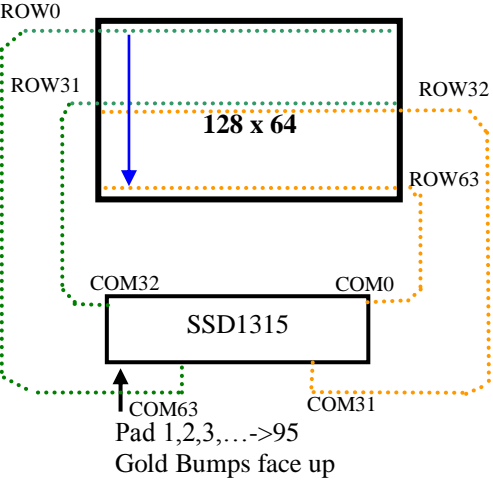
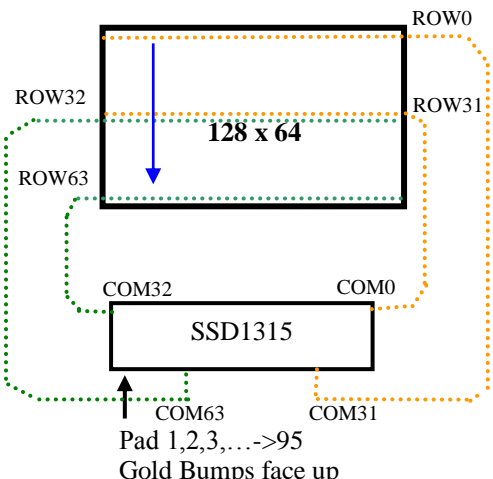
This command is used to set the duration of the pre-charge period. The interval is counted in number of DCLK, where RESET equals 4 DCLKs.

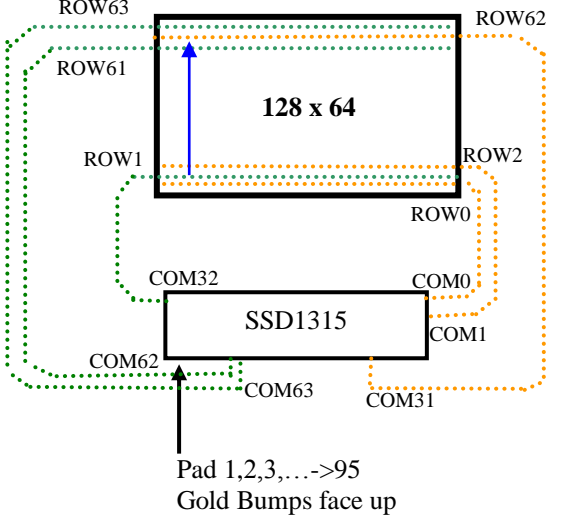
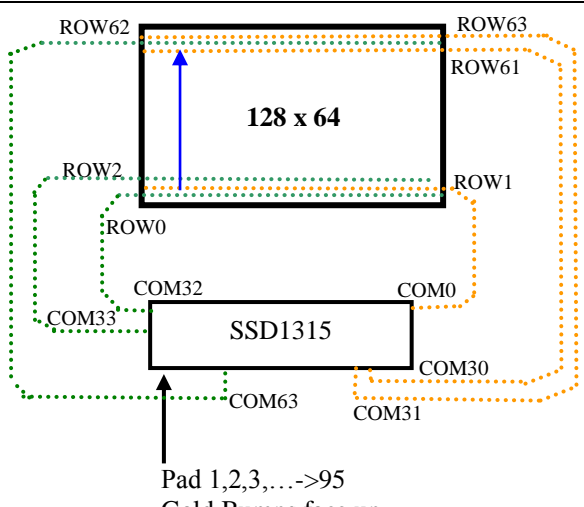
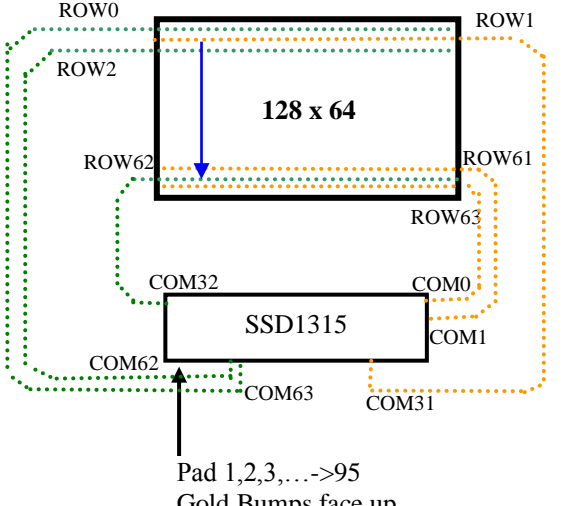
1.2.19 Set COM Pins Hardware Configuration (DAh)

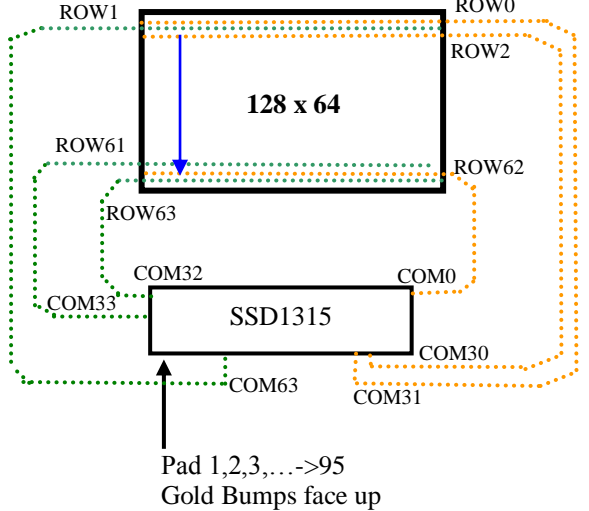
This command sets the COM signals pin configuration to match the OLED panel hardware layout. The table below shows the COM pin configuration under different conditions (for MUX ratio =64):

Table 1-6 : COM Pins Hardware Configuration

Conditions	COM pins Configurations
1 Sequential COM pin configuration (DAh A[4] =0) COM output Scan direction: from COM0 to COM63 (C0h) Disable COM Left/Right remap (DAh A[5] =0)	 <p>ROW63 ROW32 ROW31 ROW0 128x 64 COM32 COM0 SSD1315 COM63 COM31 Pad 1,2,3,...->95 Gold Bumps face up</p>

Conditions	COM pins Configurations
2 Sequential COM pin configuration (DAh A[4] =0) COM output Scan direction: from COM0 to COM63 (C0h) Enable COM Left/Right remap (DAh A[5] =1)	 <p>128 x 64</p> <p>ROW0, ROW31, ROW32, ROW63</p> <p>COM32, COM0, COM63, COM31</p> <p>SSD1315</p> <p>Pad 1,2,3,...->95 Gold Bumps face up</p>
3 Sequential COM pin configuration (DAh A[4] =0) COM output Scan direction: from COM63 to COM0 (C8h) Disable COM Left/Right remap (DAh A[5] =0)	 <p>128 x 64</p> <p>ROW0, ROW31, ROW32, ROW63</p> <p>COM32, COM0, COM63, COM31</p> <p>SSD1315</p> <p>Pad 1,2,3,...->95 Gold Bumps face up</p>
4 Sequential COM pin configuration (DAh A[4] =0) COM output Scan direction: from COM63 to COM0 (C8h) Enable COM Left/Right remap (DAh A[5] =1)	 <p>128 x 64</p> <p>ROW0, ROW32, ROW63, ROW31</p> <p>COM32, COM0, COM63, COM31</p> <p>SSD1315</p> <p>Pad 1,2,3,...->95 Gold Bumps face up</p>

Conditions	COM pins Configurations
<p>5 Alternative COM pin configuration (DAh A[4] =1) COM output Scan direction: from COM0 to COM63 (C0h) Disable COM Left/Right remap (DAh A[5] =0)</p>	 <p>Pad 1,2,3,...->95 Gold Bumps face up</p>
<p>6 Alternative COM pin configuration (DAh A[4] =1) COM output Scan direction: from COM0 to COM63 (C0h) Enable COM Left/Right remap (DAh A[5] =1)</p>	 <p>Pad 1,2,3,...->95 Gold Bumps face up</p>
<p>7 Alternative COM pin configuration (DAh A[4] =1) COM output Scan direction: from COM63 to COM0(C8h) Disable COM Left/Right remap (DAh A[5] =0)</p>	 <p>Pad 1,2,3,...->95 Gold Bumps face up</p>

Conditions	COM pins Configurations
<p>8 Alternative COM pin configuration (DAh A[4] =1) COM output Scan direction: from COM63 to COM0(C8h) Enable COM Left/Right remap (DAh A[5] =1)</p>	 <p>Pad 1,2,3,...->95 Gold Bumps face up</p>

1.2.20 Set V_{COMH} Deselect Level (DBh)

This command adjusts the V_{COMH} regulator output. Refer to Table 1-1 for detail setting.

1.2.21 NOP (E3h)

No Operation Command.

1.2.22 Status register Read

This command is issued by setting D/C# ON LOW during a data read (See AC timing section for parallel interface waveform). It allows the MCU to monitor the internal status of the chip. No status read is provided for serial mode.

1.2.23 Charge Pump Setting (8Dh)

This command controls the ON/OFF of the Charge Pump. The Charge Pump must be enabled by the following command sequence:

8Dh; Charge Pump Setting

14h / 94h / 95h; Enable Charge Pump at different output mode

AFh; Display ON

1.3 Graphic Acceleration Command

1.3.1 Horizontal Scroll Setup (26h/27h)

This command consists of 7 consecutive bytes to set up the horizontal scroll parameters and determines the scrolling start page, end page and scrolling speed.

Before issuing this command the horizontal scroll must be deactivated (2Eh). Otherwise, RAM content may be corrupted.

The SSD1315 horizontal scroll is designed for 128 columns scrolling. The following two figures (Figure 1-7, Figure 1-8, Figure 1-9) show the examples of using the horizontal scroll:

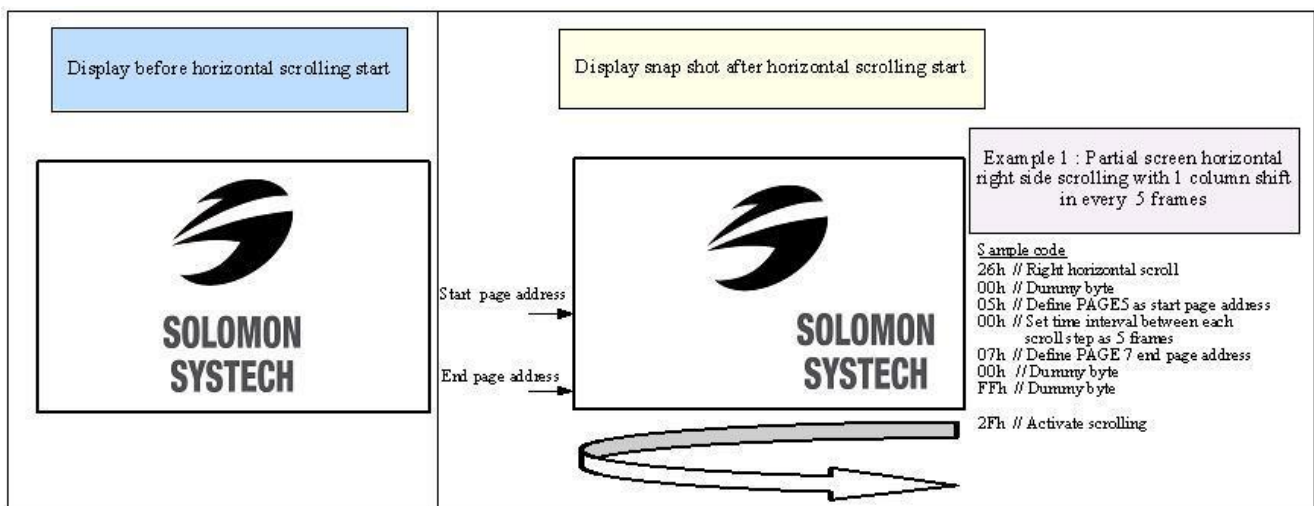
Figure 1-7 : Horizontal scroll example: Scroll RIGHT by 1 column

Original Setting	SEG0	SEG1	SEG2	SEG3	SEG4	SEG5	SEG122	SEG123	SEG124	SEG125	SEG126	SEG127
After one scroll step	SEG127	SEG0	SEG1	SEG2	SEG3	SEG4	SEG121	SEG122	SEG123	SEG124	SEG125	SEG126

Figure 1-8 : Horizontal scroll example: Scroll LEFT by 1 column

Original Setting	SEG0	SEG1	SEG2	SEG3	SEG4	SEG5	SEG122	SEG123	SEG124	SEG125	SEG126	SEG127
After one scroll step	SEG1	SEG2	SEG3	SEG4	SEG5	SEG6	SEG123	SEG124	SEG125	SEG126	SEG127	SEG0

Figure 1-9 : Horizontal scrolling setup example



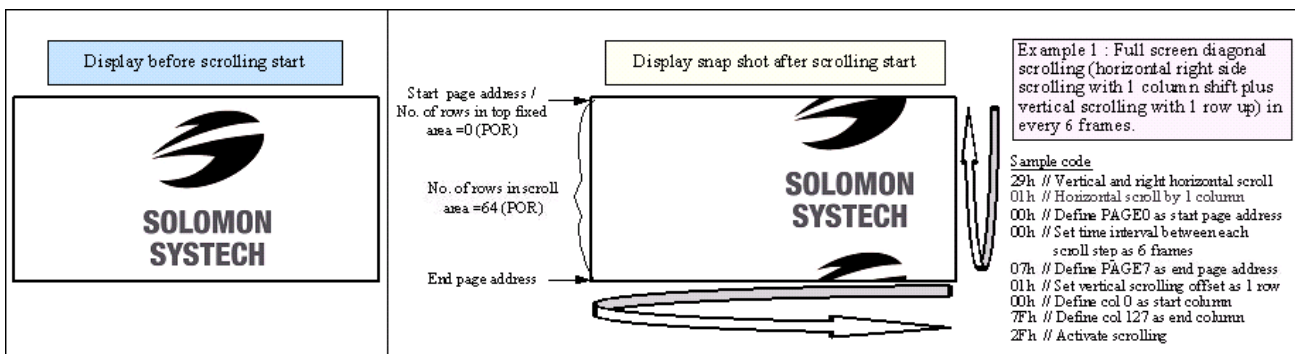
1.3.2 Continuous Vertical and Horizontal Scroll Setup (29h/2Ah)

This command consists of 8 consecutive bytes to set up the continuous vertical scroll parameters and determine the scrolling start page, end page, start column, end column, scrolling speed, horizontal and vertical scrolling offset.

If the vertical scrolling offset byte E[3:0] of command 29h / 2Ah is set to zero, then only horizontal scrolling is performed (like command 26/27h). On the other hand, if the number of column scroll offset byte A[0] is set to zero, then only vertical scrolling is performed. Continuous diagonal (horizontal + vertical) scrolling would be enabled if both A[0] and E[3:0] are set to be non-zero, whereas full column diagonal scrolling mode is suggested by setting F[6:0]=00h and G[6:0]=7Fh.

Before issuing this command the scroll must be deactivated (2Eh), or otherwise, RAM content may be corrupted. The following figure (Figure 1-10) show the examples of using the continuous vertical and horizontal scroll.

Figure 1-10 : Continuous Vertical and Horizontal scrolling setup example



1.3.3 Deactivate Scroll (2Eh)

This command stops the motion of scrolling. After sending 2Eh command to deactivate the scrolling action, the ram data needs to be rewritten.

1.3.4 Activate Scroll (2Fh)

This command starts the motion of scrolling and should only be issued after the scroll setup parameters have been defined by the scrolling setup commands : 26h/27h/29h/2Ah . The setting in the last scrolling setup command overwrites the setting in the previous scrolling setup commands.

The following actions are prohibited after the scrolling is activated

1. RAM access (Data write or read)
2. Changing the horizontal scroll setup parameters

1.3.5 Set Vertical Scroll Area (A3h)

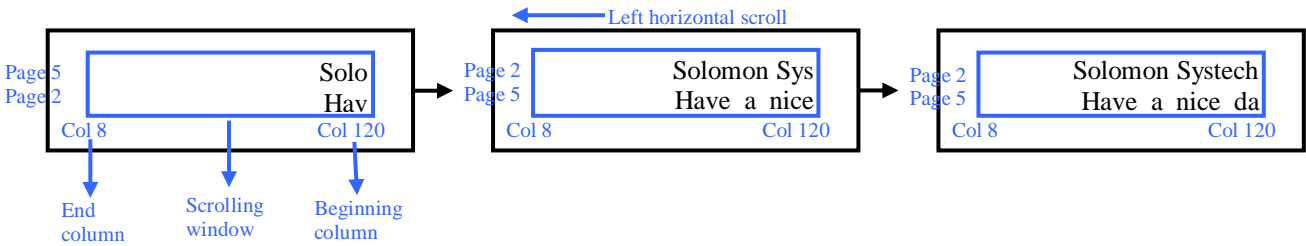
This command consists of 3 consecutive bytes to set up the vertical scroll area. For the continuous vertical scroll function (command 29/2Ah), the number of rows that in vertical scrolling can be set smaller or equal to the MUX ratio.

1.3.6 Content Scroll Setup (2Ch/2Dh)

This command consists of 7 consecutive bytes to set up the horizontal scroll parameters and determine the scrolling start page, end page, start column and end column. One column will be scrolled horizontally by sending the setting of command 2Ch / 2Dh once.

When command 2Ch / 2Dh are sent consecutively, a delay time of 2 / Frame Frequency must be set. Figure 1-11 shown an example of using 2Dh “Content Scroll Setup” command for horizontal scrolling to left with infinite content update. In there, “Col” means the graphic display data RAM column.

Figure 1-11: Content Scrolling example (2Dh, Left Horizontal Scroll by one column)



By using command 2Ch/2Dh, RAM contents are scrolled and updated by one column. Table 1-7 is an example of content scrolling setting of SSD1315 (scrolling window of 4 pages). The values of registers depend on different conditions and applications.

Table 1-7 : Content Scrolling software flow example (Page addressing mode – command 20h, 02h)

Step	Action	D/C#	Code	Remarks
1	For i= 1 to n	-	-	Create “For loop” for infinite content scrolling
2	Set Content scrolling command (scrolling window : Page 2 to 5, Col 8 to Col 120)	0	2Dh	Left Horizontal Scroll by one column
0		00h	A[7:0] : Dummy byte (Set as 00h)	
0		02h	B[2:0] : Define start page address	
0		01h	C[7:0] : Dummy byte (Set as 01h)	
0		05h	D[2:0] : Define end page address	
0		08h	E[6:0] : Define start column address	
0		78h	F[6:0] : Define end column address	
3	Add Delay time of $2 / \text{FrameFreq}$	-	-	E.g. Delay 20ms if frame freq \approx 100Hz
4	Write RAM on the beginning column of the scrolling window			
	Write RAM on (Page2, Col 120) <i>(Content update in beginning column)</i>	0	B2h	Set Page Start Address for Page Addressing Mode
		0	17h	Set Higher Column Start Address for Page Addressing Mode
		0	08h	Set Lower Column Start Address for Page Addressing Mode
		1	-	Write data to fill the RAM
	Write RAM on (Page3, Col 120) <i>(Content update in beginning column)</i>	0	B3h	Set Page Start Address for Page Addressing Mode
		0	17h	Set Higher Column Start Address for Page Addressing Mode
		0	08h	Set Lower Column Start Address for Page Addressing Mode
		1	-	Write data to fill the RAM
	Write RAM on (Page4, Col 120) <i>(Content update in beginning column)</i>	0	B4h	Set Page Start Address for Page Addressing Mode
		0	17h	Set Higher Column Start Address for Page Addressing Mode
		0	08h	Set Lower Column Start Address for Page Addressing Mode
		1	-	Write data to fill the RAM
	Write RAM on (Page5, Col 120) <i>(Content update in beginning column)</i>	0	B5h	Set Page Start Address for Page Addressing Mode
		0	17h	Set Higher Column Start Address for Page Addressing Mode
		0	08h	Set Lower Column Start Address for Page Addressing Mode
		1	-	Write data to fill the RAM
5	i=i+1	-	-	Go to next “For loop”
	Delay timing	-	-	Set time interval between each scroll step if necessary
	End			

There are 3 different memory addressing mode in SSD1315: page addressing mode, horizontal addressing mode and vertical addressing mode and it is selected by command 20h. Table 1-7 is an example of content scrolling software flow under page addressing mode, while vertical addressing mode example is shown in below Table 1-8.

Table 1-8 : Content Scrolling setting example (Vertical addressing mode – command 20h, 01h)

Step	Action	D/C#	Code	Remarks
1	For i= 1 to n	-	-	Create “For loop” for infinite content scrolling
2	Set Content scrolling command (scrolling window : Page 2 to 5, Col 8 to Col 120)	0	2Dh	Left Horizontal Scroll by one column
0		00h	A[6:0] : Dummy byte (Set as 00h)	
0		02h	B[2:0] : Define start page address	
0		01h	C[2:0] : Dummy byte (Set as 01h)	
0		05h	D[2:0] : Define end page address	
0		08h	E[6:0] : Define start column address	
0		78h	F[6:0] : Define end column address	
3	Add Delay time of $2/FrameFreq$	-	-	E.g. Delay 20ms if frame freq \approx 100Hz
4	Write RAM on the beginning column of the scrolling window (Page 2 to 5, Col 120) <i>(Content update in beginning column)</i>	0	21h	Set Column address
0		78h	Set column start address for Vertical Addressing Mode	
0		78h	Set column end address for Vertical Addressing Mode	
0		22h	Set Page address	
0		02h	Set start page address for Vertical Addressing Mode	
0		05h	Set end page address for Vertical Addressing Mode	
1		-	Write data to fill the RAM	
5	i=i+1	-	-	Go to next “For loop”
	Delay timing	-	-	Set time interval between each scroll step if necessary
	End			

1.4 Advance Graphic Command

1.4.1 Set Fade Out and Blinking (23h)

This command allows to set the fade mode and to adjust the time interval for each fade step. Below figures show the example of Fade Out mode and Blinking mode.

Figure 1-12 : Example of Fade Out mode

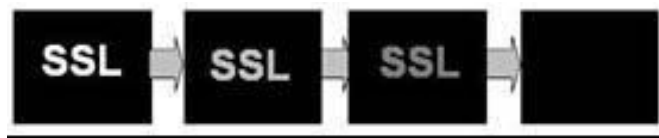
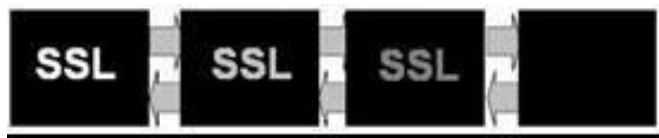


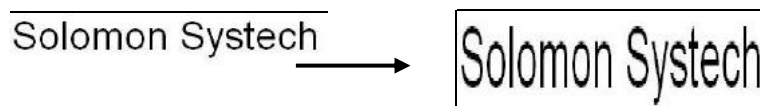
Figure 1-13 : Example of Blinking mode



1.4.2 Set Zoom In (D6h)

Under Zoom in mode, one row of display contents is expanded into two rows on the display. That is, contents of row0~31 fill the whole display panel of 64 rows. It should be notice that the panel must be in alternative COM pin configuration (command DAh A[4] =1) for zoom in function.

Figure 1-14 : Example of Zoom In



Appendix V: DC Characteristics for Internal Charge Pump Regulator

Condition (Unless otherwise specified):

Voltage referenced to V_{SS}

$V_{DD} = 1.65V$ to $3.5V$

$T_A = 25^\circ C$

Table 0-1 : DC Characteristics

Symbol	Parameter	Test Condition	Min	Typ	Max	Unit
V_{BAT}	Charge Pump Regulator Supply Voltage	-	3.0	-	4.5	V
Charge Pump V_{CC}	Charge Pump Output Voltage ITO resistance <3ohm for charge pump related pins ⁽¹⁾	$V_{BAT} = 3.0V \sim 4.5V$, 7.5V mode Maximum output loading = 8mA	7	7.5	-	V
		$V_{BAT} = 3.6V \sim 4.5V$, 8.5V mode Maximum output loading = 12mA	8	8.5	-	V
		$V_{BAT} = 3.8V \sim 4.5V$, 9V mode Maximum output loading = 12mA	8.5	9	-	V

Remarks: ⁽¹⁾ Charge pump related pins include: V_{BAT} , C1P, C1N, C2P, C2N, V_{LSS}