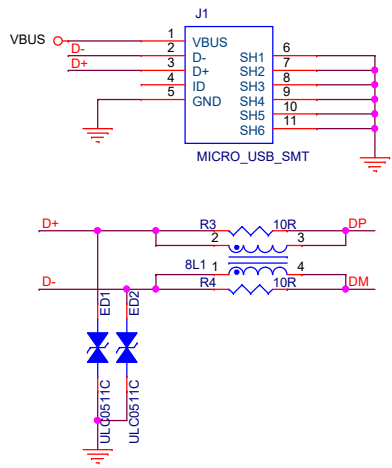
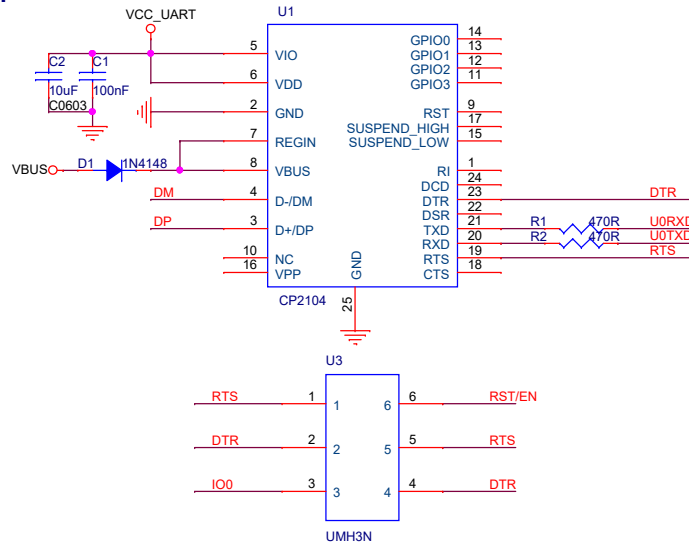


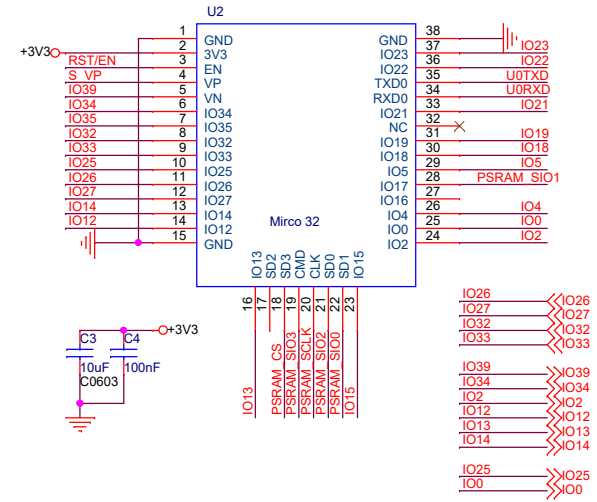
USB



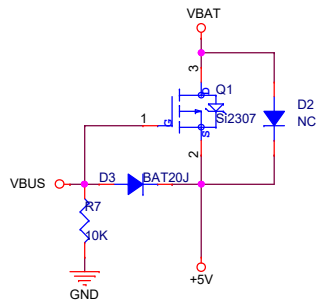
UART



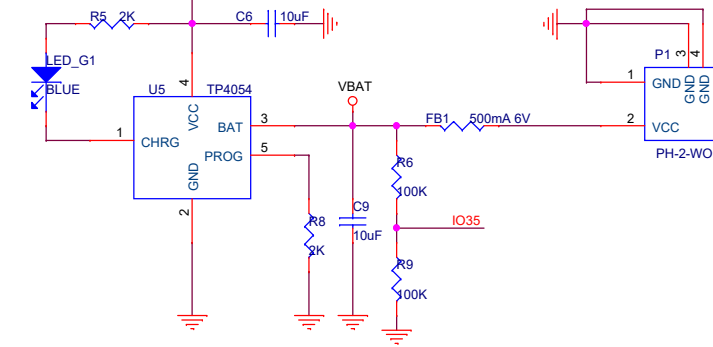
CORE



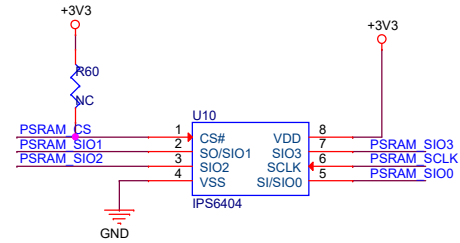
VBUS/VBAT-VIN



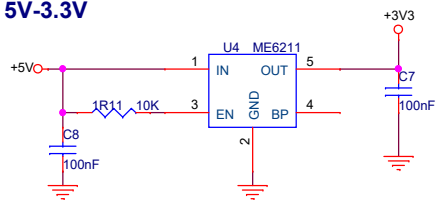
BATTERY



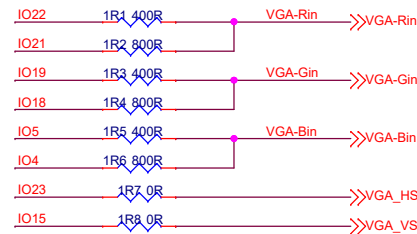
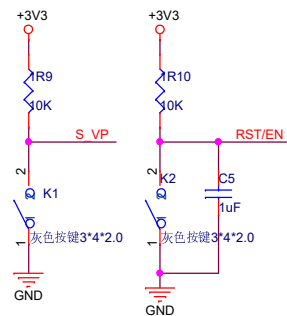
PSRAM



5V-3.3V

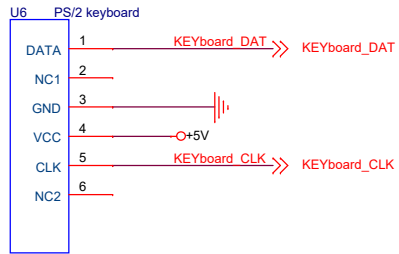


Button

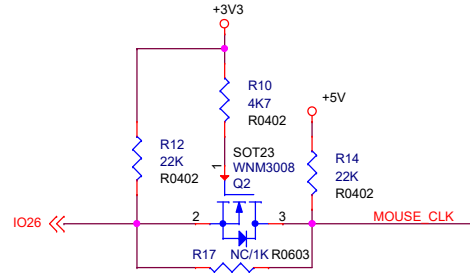


Title		VGA32
Size	Document Number	Rev
B	ESP32	V1.2
Date:	Monday, May 04, 2020	Sheet 1 of 3

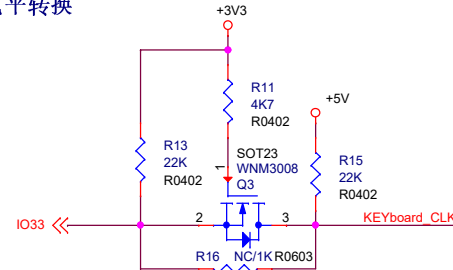
PS/2 keyboard



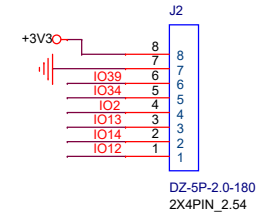
电平转换



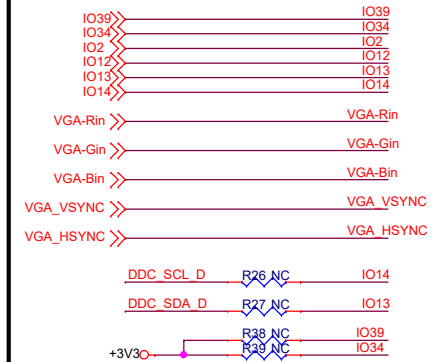
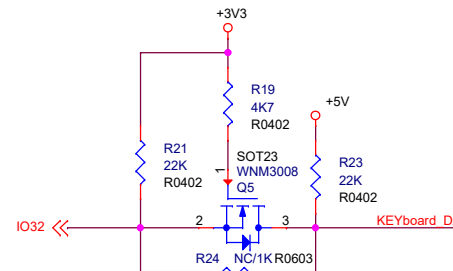
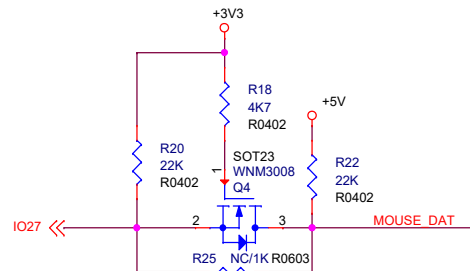
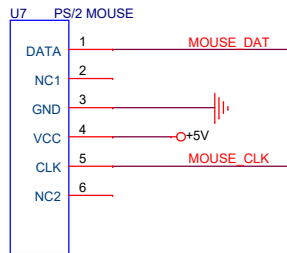
电平转换



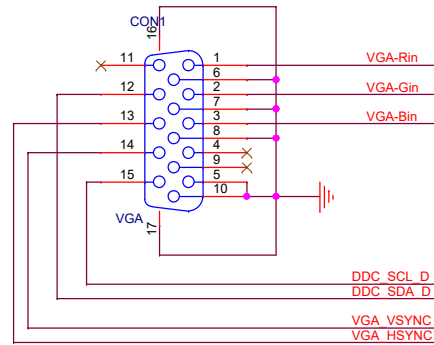
Connector



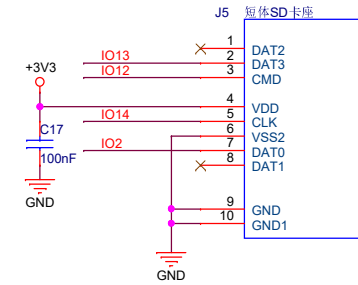
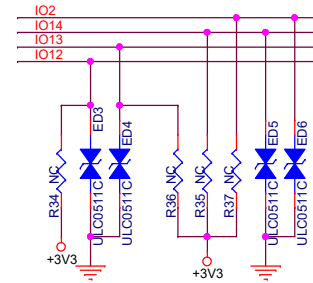
PS/2 MOUSE

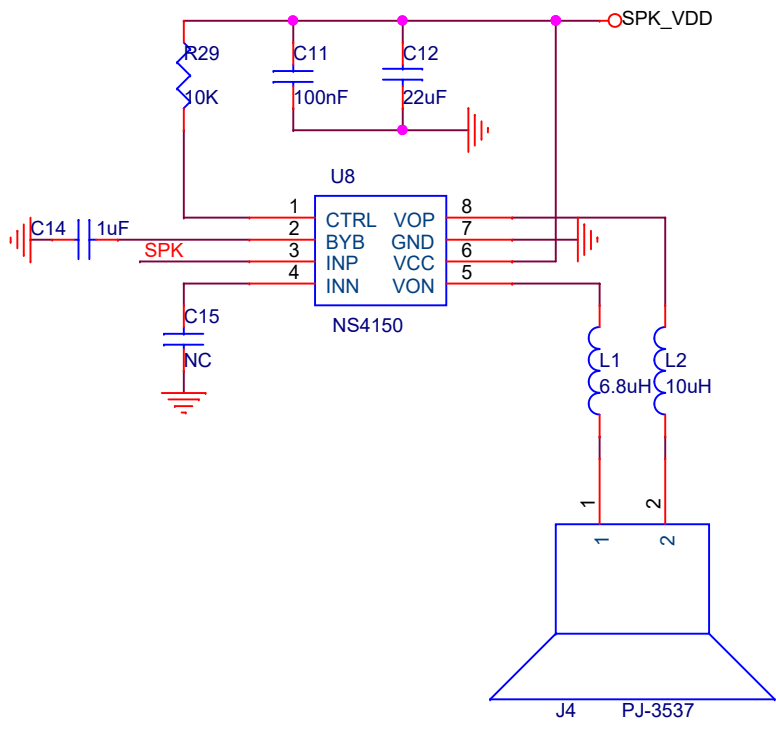
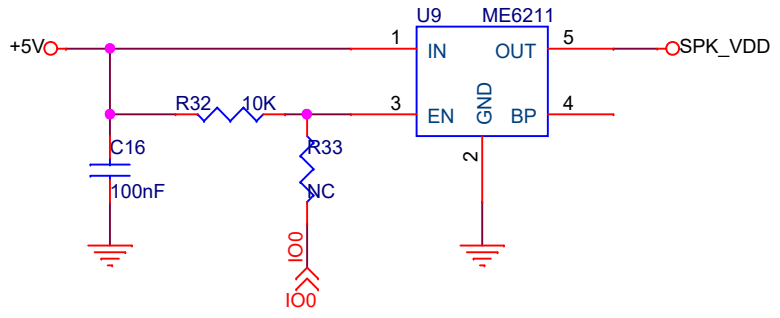
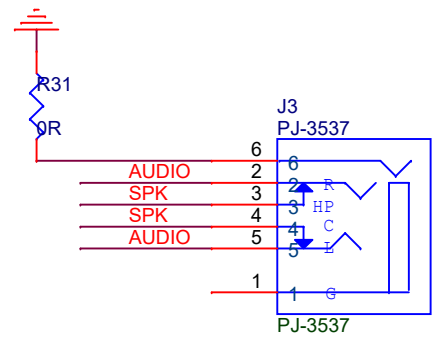
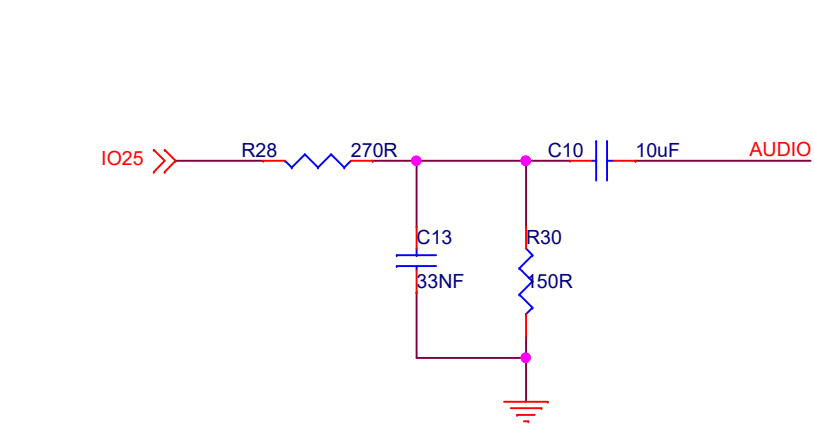


VGA



SD CARD





Title		
VGA32		
Size	Document Number	Rev
A	3.audio codec	V1.2
Date:	Monday, May 04, 2020	Sheet 3 of 3