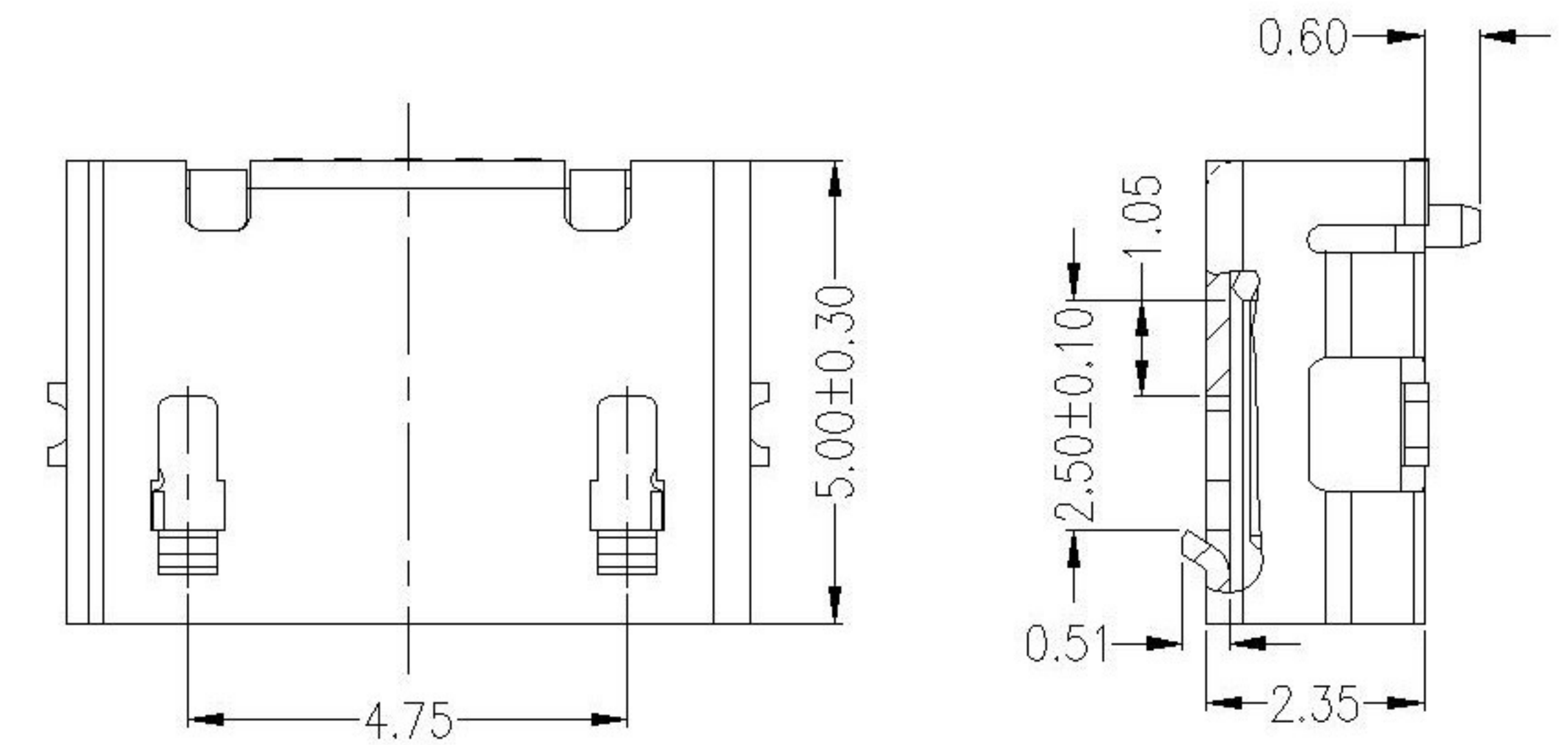
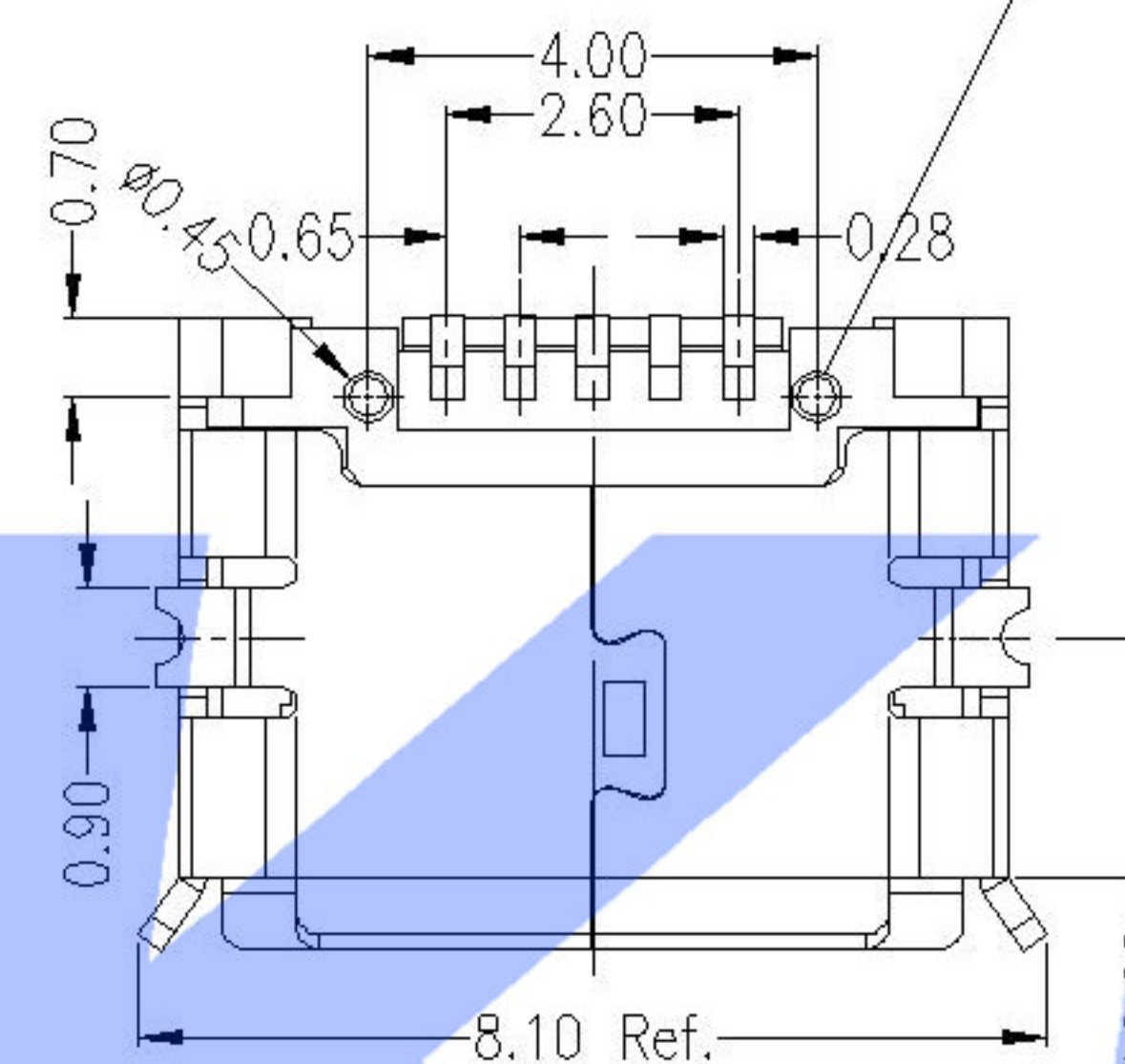
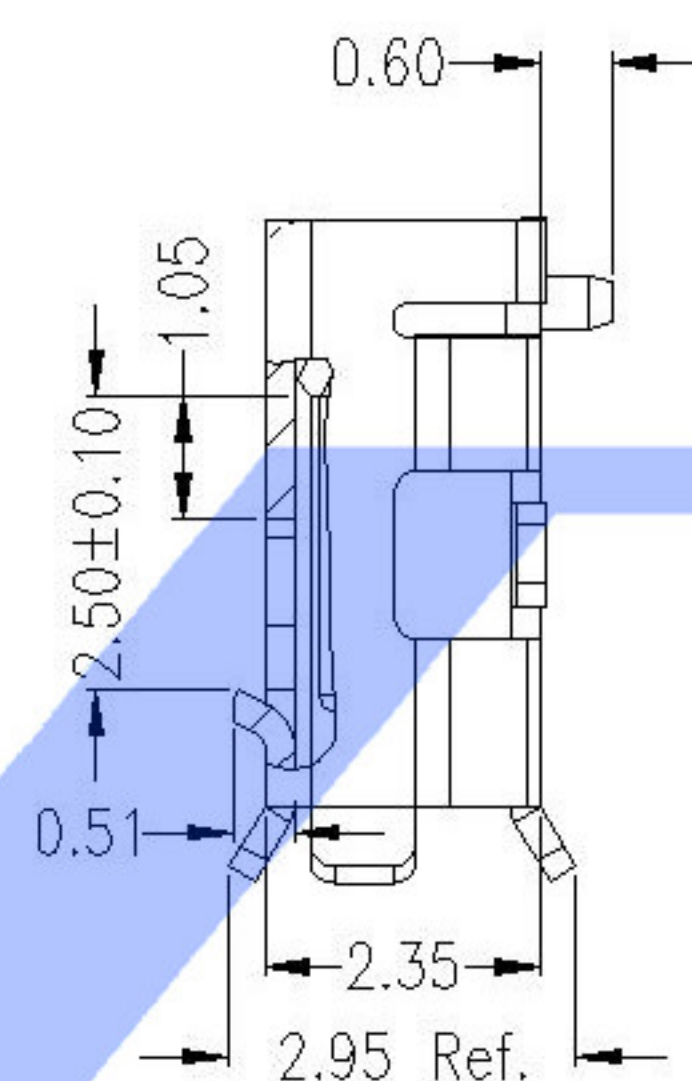
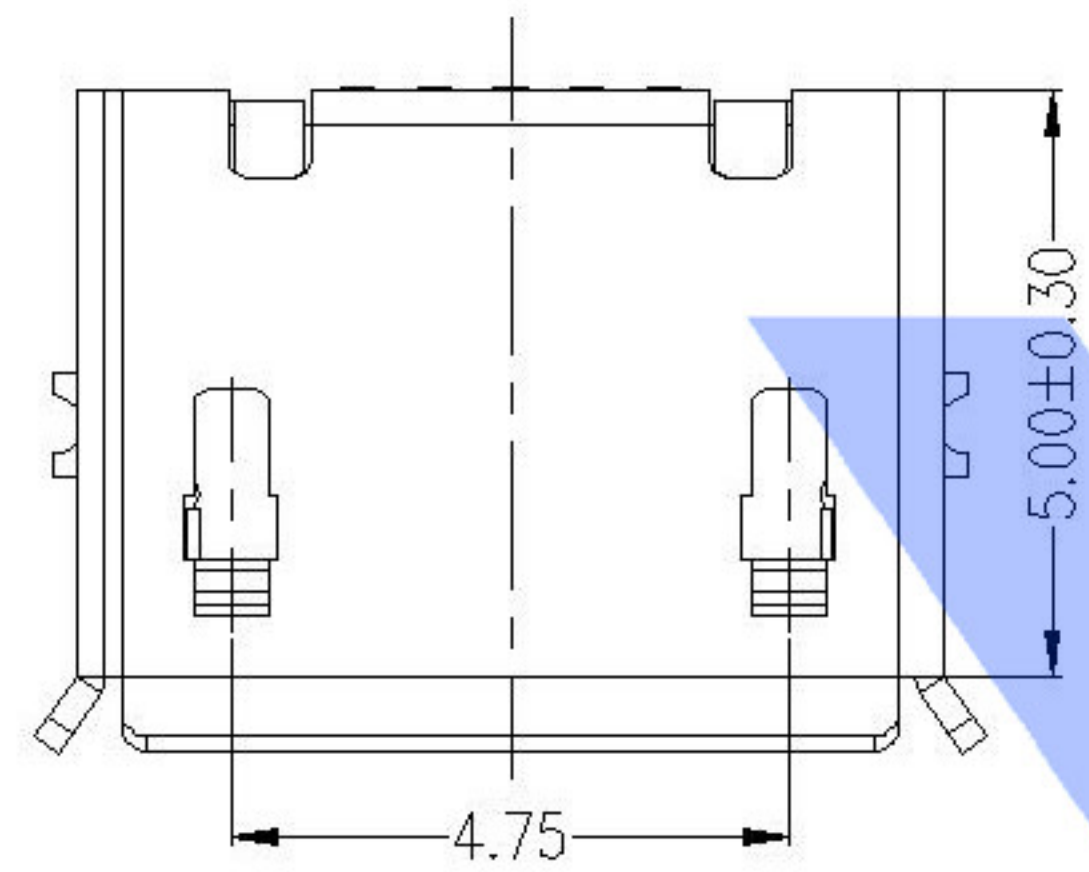
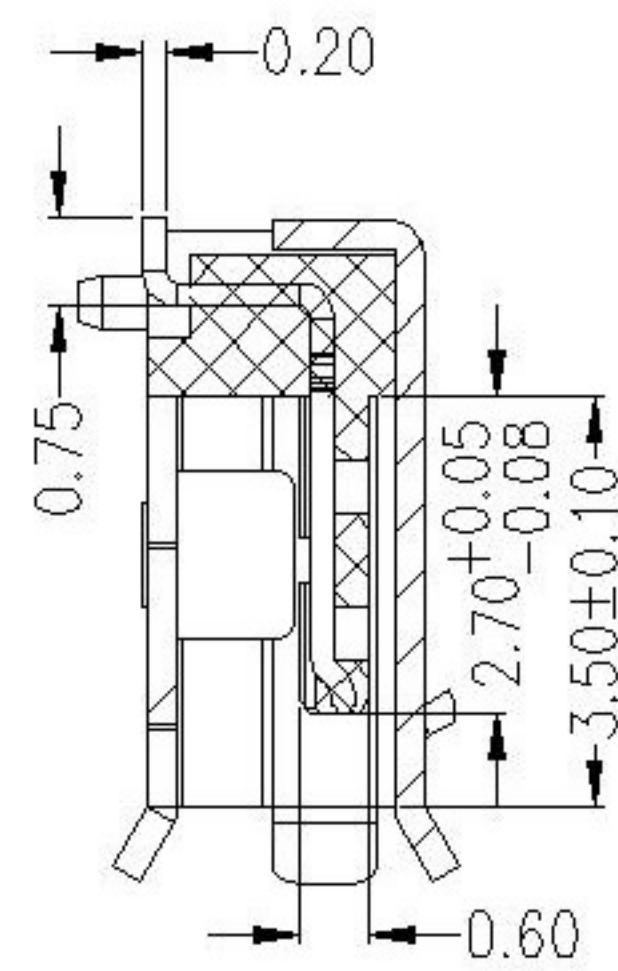


1:With 2:Without



Flat (F)

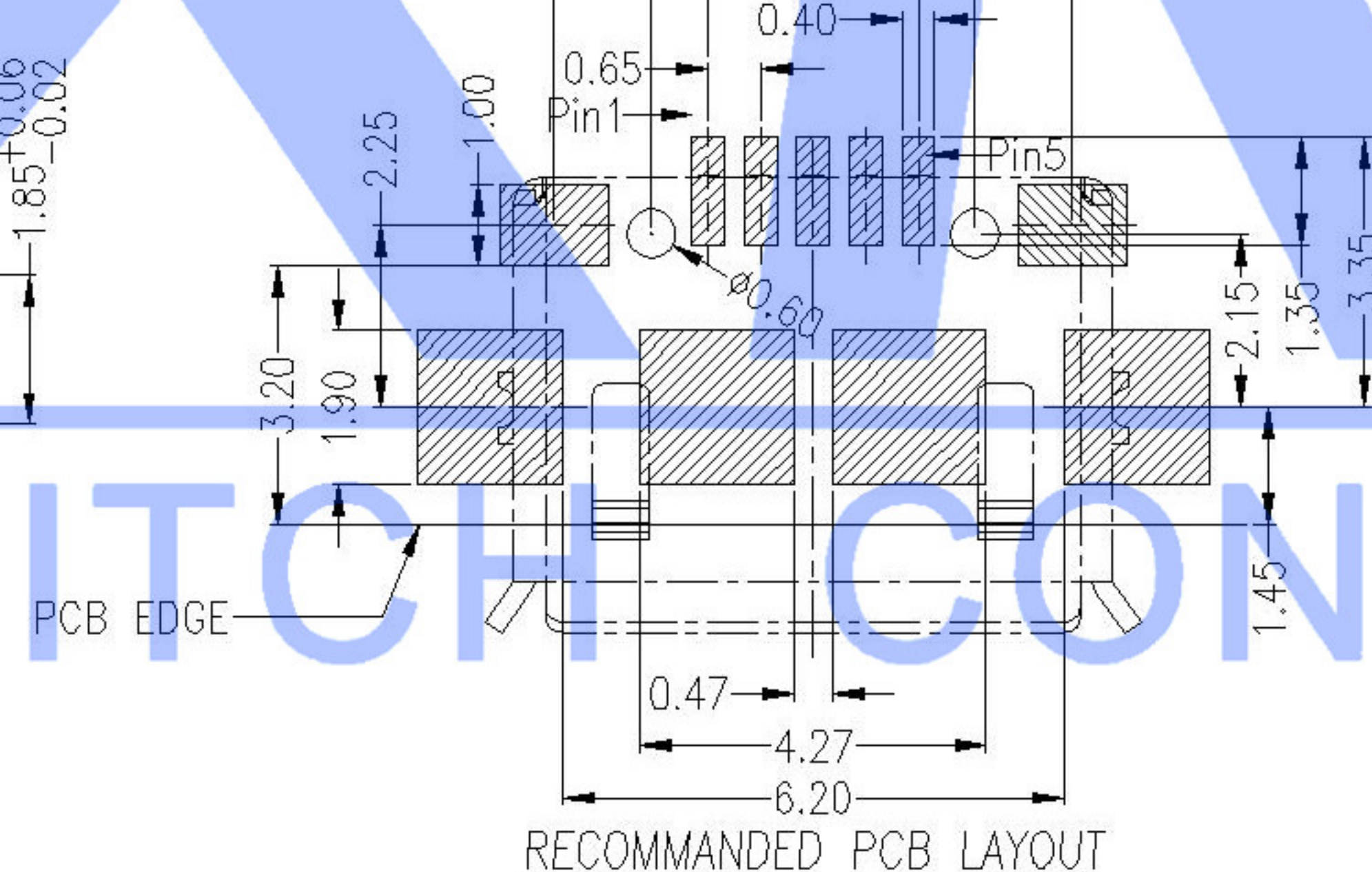
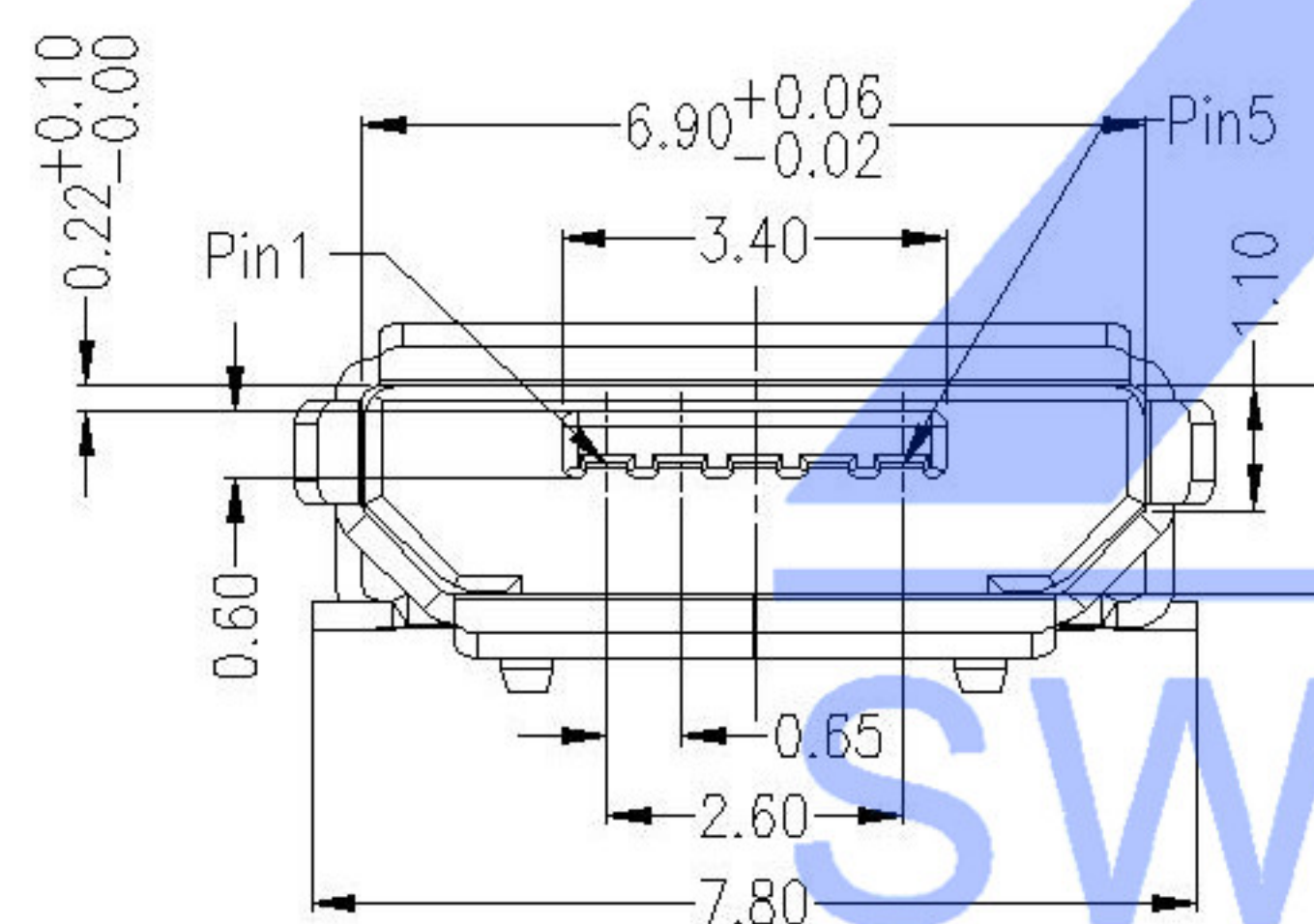


Scrolls (S)

Material
 Housing Material: LCP, UL94V-0, black
 Contact Terminal: Copper Alloy
 Metallic Shell: Brass

Electrical
 Voltage Rating: 30 V AC
 Current Rating: Signal (Pins 2,3,4): 1.0A, Power (Pins 1,5): 1.8A
 Contact Resistance: 30mΩ Max
 Insulation resistance: 1000MΩ Min
 Dielectric withstanding voltage: 250V AC/Minute

Mechanical
 Durability: 3,000 cycles
 Mating Force: 35N (3.57Kgf) Max
 Unmating Force: 8N (0.82Kgf) Min.



RECOMMENDED PCB LAYOUT

U253-05XX-4BH89-X-X-B

1: Au 1U"
 6: Au 30U"
 T: TIN
 N: NICKEL

B: Brass
 1: With 2: Without
 S: Scrolls F: Flat

B: BLACK W: WHITE

1: PBT
 2: PA6T
 3: PA9T
 4: LCP

						ANGLAR	±5°	DSND		DATE		SCALE: N/A	MODEL TYPE: MICRO USB		
△x						L ≤ 4	±0.2	DWN		DATE		VIEW:	PART NO.: U253-05XX-4BH89		
△x						4 < L ≤ 16	±0.3	CHKD		DATE		UNIT: mm	DWG NO.:		
△x						16 < L ≤ 63	±0.4	APPD		DATE		SIZE: A4	U253-05XX-4BH89-XXB		
MARK	DESCRIPTION	DATE	REVISED	APPROVED		L > 63	±0.5						WEIGHT	SHEET	REVISION
													1.0g	1/1	A0
							UNSPECIFIED TOLERANCES	KKB INDUSTRIAL PRECISION CO., LIMITED							
www.xk-dg.cn www.helloxkb.com www.helloxkb.cn															