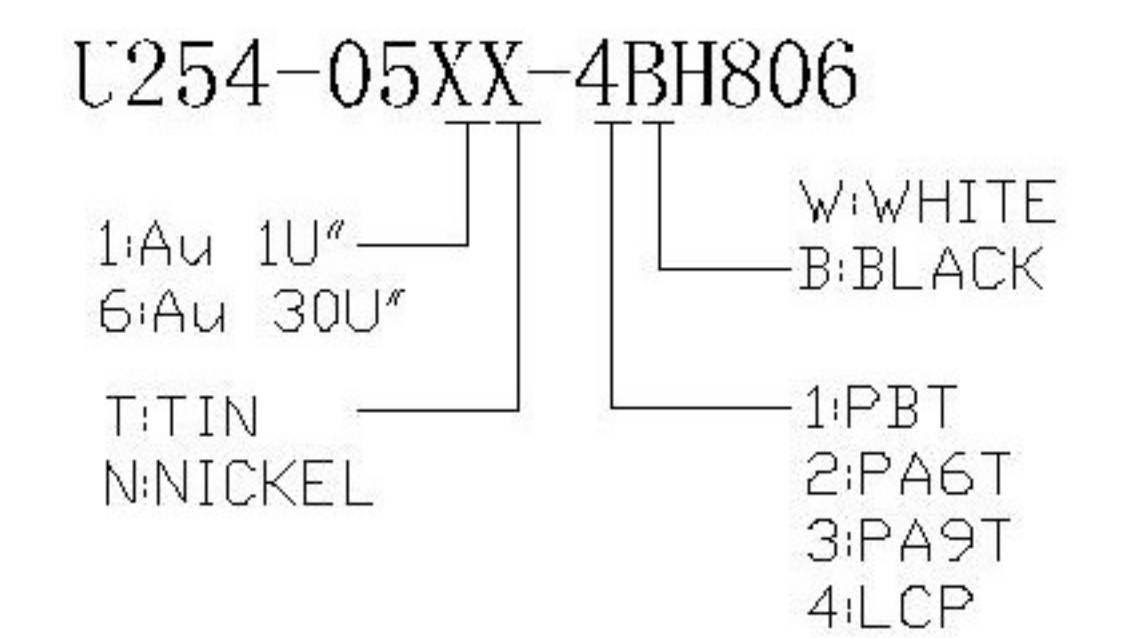


Material
 Housing Material: LCP, UL94V-0, black
 Contact Terminal: Copper Alloy
 Metallic Shell: Brass
Electrical
 Voltage Rating: 30 V AC
 Current Rating: Signal (Pins 2,3,4): 1.0A, Power (Pins 1,5): 1.8A
 Contact Resistance: 30mΩ Max
 Insulation resistance: 1000MΩ Min
 Dielectric withstanding voltage: 250V AC/Minute
Mechanical
 Durability: 3,000 cycles
 Mating Force: 35N (3.57Kgf) Max
 Unmating Force: 8N (0.82Kgf) Min.



					ANGLAR	±5°	DSND		DATE	SCALE: N/A	MODEL TYPE: MICRO USB		
					L ≤ 4	±0.2	DWN		DATE	VIEW:	PART NO.:		
					4 < L ≤ 16	±0.3	CHKD		DATE	UNIT: mm	DWG NO.:		
					16 < L ≤ 63	±0.4	APPD		DATE	SIZE: A4	U254-05XX-4BH806		
					L > 63	±0.5					WEIGHT	SHEET	REVISION
					UNSPECIFIED TOLERANCES		XKB INDUSTRIAL PRECISION CO.,LIMITED				1.0g	1/1	A0
MARK	DESCRIPTION	DATE	REVISED	APPROVED									
REVISIONS													
www.xk-dg.cn www.1k0k.com www.1k0k.cn													